



US010447819B2

(12) **United States Patent**  
**McNulty**

(10) **Patent No.:** **US 10,447,819 B2**  
(45) **Date of Patent:** **\*Oct. 15, 2019**

(54) **APPARATUS, METHOD AND SYSTEM FOR A TUNNELING CLIENT ACCESS POINT**

(71) Applicant: **IOENGINE LLC**, Norwalk, CT (US)

(72) Inventor: **Scott McNulty**, Rowayton, CT (US)

(73) Assignee: **IOENGINE LLC**, Norwalk, CT (US)

(\* ) Notice: Subject to any disclaimer, the term of this patent is extended or adjusted under 35 U.S.C. 154(b) by 0 days.

This patent is subject to a terminal disclaimer.

(21) Appl. No.: **15/712,780**

(22) Filed: **Sep. 22, 2017**

(65) **Prior Publication Data**

US 2018/0013864 A1 Jan. 11, 2018

**Related U.S. Application Data**

(63) Continuation of application No. 14/721,540, filed on May 26, 2015, now Pat. No. 9,774,703, which is a (Continued)

(51) **Int. Cl.**

**H04L 29/06** (2006.01)

**H04L 29/08** (2006.01)

**H04L 9/32** (2006.01)

(52) **U.S. Cl.**

CPC ..... **H04L 67/42** (2013.01); **H04L 9/3226** (2013.01); **H04L 9/3247** (2013.01); (Continued)

(58) **Field of Classification Search**

CPC ..... **H04L 2209/76**; **H04L 2209/80**; **H04L 2209/56**; **H04L 63/0272**; **H04L 63/0428**; (Continued)

(56) **References Cited**

U.S. PATENT DOCUMENTS

5,784,461 A 7/1998 Shaffer  
5,960,085 A 9/1999 De La Hueraga  
(Continued)

FOREIGN PATENT DOCUMENTS

EP 1001329 A2 5/2000  
EP 1168137 1/2002  
WO 0049505 8/2000

OTHER PUBLICATIONS

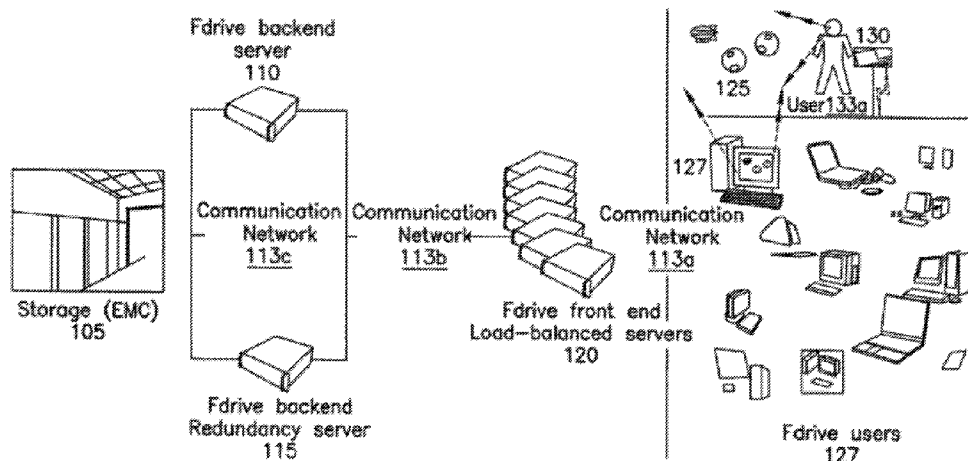
Inter Partes Review No. IPR2019-00416: Petition for Inter Partes Review Under 35 U.S.C. §§ 311-319 and 37 C.F.R. § 42.100 et seq. filed with U.S. Pat. No. 8,539,047, dated Sep. 17, 2013, and entitled Apparatus, Method and System for a Tunneling Client Access Point. (Continued)

*Primary Examiner* — Alina A Boutah

(57) **ABSTRACT**

The disclosure details the implementation of a tunneling client access point (TCAP) that is a highly secure, portable, power efficient storage and data processing device. The TCAP “tunnels” data through an access terminal’s (AT) input/output facilities. In one embodiment, the TCAP connects to an AT and a user employs the AT’s user input peripherals for input, and views the TCAP’s activities on the AT’s display. This enables the user to observe data stored on the TCAP without it being resident on the AT, which can be useful to maintain higher levels of data security. Also, the TCAP may tunnel data through an AT across a communications network to access remote servers. The disclosure also teaches a plug-n-play virtual private network (VPN).

**192 Claims, 10 Drawing Sheets**



**Related U.S. Application Data**

continuation of application No. 13/960,514, filed on Aug. 6, 2013, now Pat. No. 9,059,969, which is a continuation of application No. 12/950,321, filed on Nov. 19, 2010, now Pat. No. 8,539,047, which is a continuation of application No. 10/807,731, filed on Mar. 23, 2004, now Pat. No. 7,861,006.

(52) **U.S. Cl.**

CPC ..... **H04L 63/0272** (2013.01); **H04L 63/0428** (2013.01); **H04L 65/4069** (2013.01); **H04L 67/04** (2013.01); **H04L 67/141** (2013.01); **H04L 2209/56** (2013.01); **H04L 2209/76** (2013.01); **H04L 2209/80** (2013.01)

(58) **Field of Classification Search**

CPC ..... H04L 67/04; H04L 67/141; H04L 67/42; H04L 65/4069; H04L 9/3226; H04L 9/3247

See application file for complete search history.

(56)

**References Cited**

U.S. PATENT DOCUMENTS

6,088,805	A	7/2000	Davis	
6,098,097	A	8/2000	Dean	
6,105,042	A	8/2000	Aganovic	
6,134,662	A	10/2000	Levy	
6,199,108	B1	3/2001	Casey	
6,233,568	B1	5/2001	Kara	
6,362,894	B1	3/2002	Shima	
6,385,729	B1	5/2002	DiGiorgio	
6,467,087	B1	10/2002	Yang	
6,487,657	B1	11/2002	Brockmann	
6,547,130	B1	4/2003	Shen	
6,732,278	B2	5/2004	Baird, III	
6,748,541	B1	6/2004	Margalit	
6,763,399	B2	7/2004	Margalit	
6,799,077	B1	9/2004	Hauet	
6,917,962	B1	7/2005	Cannata	
6,928,463	B1*	8/2005	Tene	H04L 12/2856 370/356
6,970,927	B1	11/2005	Stewart	
6,986,030	B2	1/2006	Shmueli	
7,032,240	B1	4/2006	Cronce	
7,051,157	B2	5/2006	James	
7,103,772	B2	9/2006	Joergensen	
7,178,028	B2*	2/2007	Go	G06F 21/445 380/270
7,178,724	B2	2/2007	Tamagno	
7,213,766	B2	5/2007	Ryan	
7,272,723	B1	9/2007	Abbott	
7,308,584	B2	12/2007	Himmel	
7,310,734	B2	12/2007	Boate	
7,383,446	B1*	6/2008	Hatanaka	G06F 21/10 711/100
7,454,783	B2	11/2008	Dupouy	
7,546,340	B2*	6/2009	Terasawa	G06F 1/1626 709/203
7,549,161	B2	6/2009	Poo	
7,558,953	B2	7/2009	Osthoff	
7,762,470	B2	7/2010	Finn	
7,979,700	B2	7/2011	Elazar	
8,595,488	B2	11/2013	Elazar	
8,612,511	B2*	12/2013	Friedrich	G05B 19/409 709/203
9,497,796	B2*	11/2016	Fujita	G06Q 20/02
2001/0010689	A1	8/2001	Awater	
2001/0047393	A1*	11/2001	Arner	G06F 9/54 709/216
2002/0000491	A1	1/2002	Fung	
2002/0044663	A1	4/2002	King	
2002/0046292	A1*	4/2002	Tennison	H04L 12/5692 709/238

2002/0065872	A1	5/2002	Genske	
2002/0073340	A1	6/2002	Mambakkam	
2002/0080090	A1*	6/2002	Borgstom	G08C 17/02 345/1.1
2002/0099665	A1	7/2002	Burger	
2002/0014791	A1	10/2002	Shmueli	
2002/0169002	A1	11/2002	Imbrie et al.	
2002/0184349	A1	12/2002	Manukyan	
2002/0194499	A1*	12/2002	Audebert	H04L 63/0853 726/35
2003/0005337	A1	1/2003	Poo	
2003/0020813	A1	1/2003	Iida	
2003/0028649	A1	2/2003	Uhlik	
2003/0028650	A1*	2/2003	Chen	H04L 12/4641 709/229
2003/0055735	A1*	3/2003	Cameron	G06Q 20/04 705/27.1
2003/0058274	A1*	3/2003	Hill	H04L 63/0272 715/751
2003/0145044	A1*	7/2003	Raivisto	H04L 29/06 709/203
2003/0158891	A1	8/2003	Lei	
2003/0182456	A1	9/2003	Lin	
2004/0003250	A1*	1/2004	Kindberg	G06F 21/445 713/171
2004/0039932	A1	2/2004	Elazar	
2004/0044897	A1	3/2004	Lim	
2004/0088510	A1*	5/2004	Hori	G06F 21/10 711/165
2004/0125822	A1*	7/2004	Jun	H04J 3/0661 370/503
2004/0127254	A1	7/2004	Chang	
2004/0234071	A1*	11/2004	Bae	H04M 1/02 379/419
2005/0120232	A1*	6/2005	Hori	G06F 21/10 713/193
2005/0132183	A1	6/2005	Gearhart	
2005/0172075	A1	8/2005	Marcus	
2005/0197859	A1*	9/2005	Wilson	G16H 10/65 705/2
2005/0198221	A1*	9/2005	Manchester	H04L 41/0213 709/220
2006/0052085	A1*	3/2006	Gregrio Rodriguez	H04L 12/2859 455/411
2006/0071066	A1	4/2006	Vanzini	
2006/0097037	A1*	5/2006	Sakamura	G06Q 20/045 235/380
2006/0294249	A1	12/2006	Oshima	
2007/0038870	A1*	2/2007	Ciesinger	H04L 63/0428 713/193
2007/0274291	A1	11/2007	Diomelli	
2008/0233942	A9	9/2008	Kim	

**OTHER PUBLICATIONS**

Inter Partes Review No. IPR2019-00584, Petition for Inter Partes Review for U.S. Pat. No. 9,774,703 (dated Jan. 22, 2019).  
 Inter Partes Review No. IPR2019-00884, Petition for Inter Partes Review for U.S. Pat. No. 8,539,047 (dated Mar. 29, 2019).  
 Inter Partes Review No. IPR2019-00885, Petition for Inter Partes Review for U.S. Pat. No. 8,539,047 (dated Mar. 29, 2019).  
 Inter Partes Review No. IPR2019-00886, Petition for Inter Partes Review for U.S. Pat. No. 8,539,047 (dated Mar. 29, 2019).  
 Inter Partes Review No. IPR2019-00887, Petition for Inter Partes Review for U.S. Pat. No. 8,539,047 (dated Mar. 29, 2019).  
 Inter Partes Review No. IPR2019-00929, Petition for Inter Partes Review for U.S. Pat. No. 9,774,703 (dated Apr. 5, 2019).  
 Inter Partes Review No. IPR2019-00930, Petition for Inter Partes Review for U.S. Pat. No. 9,774,703 (dated Apr. 8, 2019).  
 Inter Partes Review No. IPR2019-00931, Petition for Inter Partes Review for U.S. Pat. No. 9,774,703 (dated Apr. 8, 2019).  
 Inter Partes Review No. IPR2019-00879, Petition for Inter Partes Review for U.S. Pat. No. 9,059,969 dated Mar. 25, 2019) (“879 Petition”).

(56)

**References Cited**

## OTHER PUBLICATIONS

- FujiFilm Software Quick Start Guide (“on sale” date of 2001 alleged in ’879 Petition, pp. 10-11).
- Inter Partes Review No. IPR2019-00906, Petition for Inter Partes Review for U.S. Pat. No. 9,059,969 dated Apr. 4, 2019).
- Inter Partes Review No. IPR2019-00907, Petition for Inter Partes Review for U.S. Pat. No. 9,059,969 dated Apr. 4, 2019).
- Defendant *Paypal Holdings, Inc.’s Initial Invalidity Contentions in Ioengine, LLC v. Paypal Holdings, Inc.*, C.A. No. 18-452 (WCB) (D. Del.) (Apr. 5, 2019).
- Defendant *Paypal Holdings, Inc.’s First Supplemental Invalidity Contentions in Ioengine, LLC v. Paypal Holdings, Inc.*, C.A. No. 18-452 (WCB) (D. Del.) (Apr. 17, 2019).
- ActiveKey Brochure (document states (c) 2001).
- ActivCard Authentication Tokens (document states May 31, 2002).
- Aladdin Annual Report (2001).
- M-System DiskOnKey (document states Aug. 17, 2001).
- EToken Reference Guide (document states Aug. 2003).
- Key Product Brief (document states Apr. 24, 2001).
- Key 1000 Series Collateral (document states (c) 2003).
- Savage, RSA SecurID Gets Smart (document states Jan. 11, 2002).
- Tabor, How to Secure Your Wireless 802.11 Network (document states (c) 2003).
- M-Systems Press Release re: DiskOnKey USB Flash Drives (Jan. 4, 2006).
- M-Systems, Using MyKey (document states (c) 2003).
- Digital Camera Reviews, PC Magazine (Nov. 27, 2001).
- Digital Camera Reviews, American Photo (May 2001).
- Ingenico’s First Amended Initial Invalidity Contentions in Ingenico Inc. v. Ioengine, LLC*, C.A. No. 18-826 (WCB) (D. Del.) (Apr. 12, 2019).
- Fuji FinePix6800 Zoom, or FinePix6800Z as depicted in photos produced at INGEN-0073381 and available for inspection at the offices of counsel for Ingenico, and believed to be described in at least reference 9, 29, 30, 31.
- FujiFilm Digital Camera FinePix 6800Zoom 4800Zoom Brochure (c) 2001.
- FujiFilm Digital Camera FinePix6800Zoom Owner’s Manual (likely 2001).
- Grotta, Sally Wiener, “4 to 6 Megapixels”, PC Magazine, Nov. 27, 2001.
- “Editor’s Choice,” American Photo, May/June. 2001.
- Fujifilm Software Quick Start Guide.
- Software accompanying the Fuji FinePix6800 Zoom to be loaded onto a PC or Mac (2000).
- Apple iPod as depicted in photos produced at INGEN-0082235, available for inspection at the offices of counsel for Ingenico, and believed to be described in entry 36.
- Pod User’s Guide (2002).
- Ford, Warwick et al., *Secure Electronic Commerce*, Prentice-Hall, Inc., 1997.
- Defendant Interactive Media Corp. d/b/a Kanguru Solutions Initial Invalidity Contentions to Plaintiff Ioengine, dated Jul. 14, 2015, 255 pages.
- Expert Report by Vijay Madiselli, Ph.D., *Ioengine, LLC v. Interactive Media Corp.*, C.A. No. 14-1571 (D.Del.) and *Ioengine, LLC v. Imation Corp.*, C.A. No. 14-1572 (D.Del.) Jul. 1, 2016 (141 pages).
- Imation’s Initial Invalidity Contentions, dated Jul. 14, 2015, 248 pages.
- Inter Partes Review No. IPR2019-00416: Institution of Inter Partes Review, Jul. 15, 2019 (81 pages).
- Jon L. Jacoby, M-Systems Flash Disk Pioneers, “Using MyKey”, Copyright 2003 M-Systems Flash Disk Pioneers, Ltd., 23 pages.
- Jon L. Jacoby, Welcome to M-Systems DiskOnKey Site, “Product & Solutions”, <https://web.archive.org/web/20021202082914/http://www.diskonkey.com/prod—dok.asp>, 1 page.
- Jon L. Jacoby, Welcome to M-Systems DiskOnKey Site, <https://web.archive.org/web/20021202082914/http://www.diskonkey.com/prod—dok.asp>, 2 pages.
- Microsoft Computer Dictionary, Fifth Edition, 2002, pp. 362, 437, 458, 565, and 572.
- Miranda Instant Messenger (2), “About Miranda IM”, <https://web.archive.org/web/20031228092924/http://www.miranda-im.org>, Copyright 2000-2003 Miranda IM, 2 pages.
- Miranda Instant Messenger (3), “Screenshots”, <https://web.archive.org/web/20031228092924/http://www.miranda-im.org>, Copyright 2000-2003 Miranda IM, 2 pages.
- Miranda Instant Messenger, <https://web.archive.org/web/20031228092924/http://www.miranda-im.org>, Copyright 2000-2003 Miranda IM, 2 pages.
- Rebuttal Expert Report of Dr. Kevin Butler Regarding the Validity of U.S. Pat. No. 8,539,047, *Ioengine, LLC v. Interactive Media Corp.*, C.A. No. 14-1571 (D.Del.) and *Ioengine, LLC v. Imation Corp.*, C.A. No. 14-1572 (D.Del.) Jul. 22, 2016 (78 pages).
- Scott Spanbauer, “Mighty Mini Media”, [www.pcworld.com](http://www.pcworld.com), May 2002, pp. 14-17.

\* cited by examiner

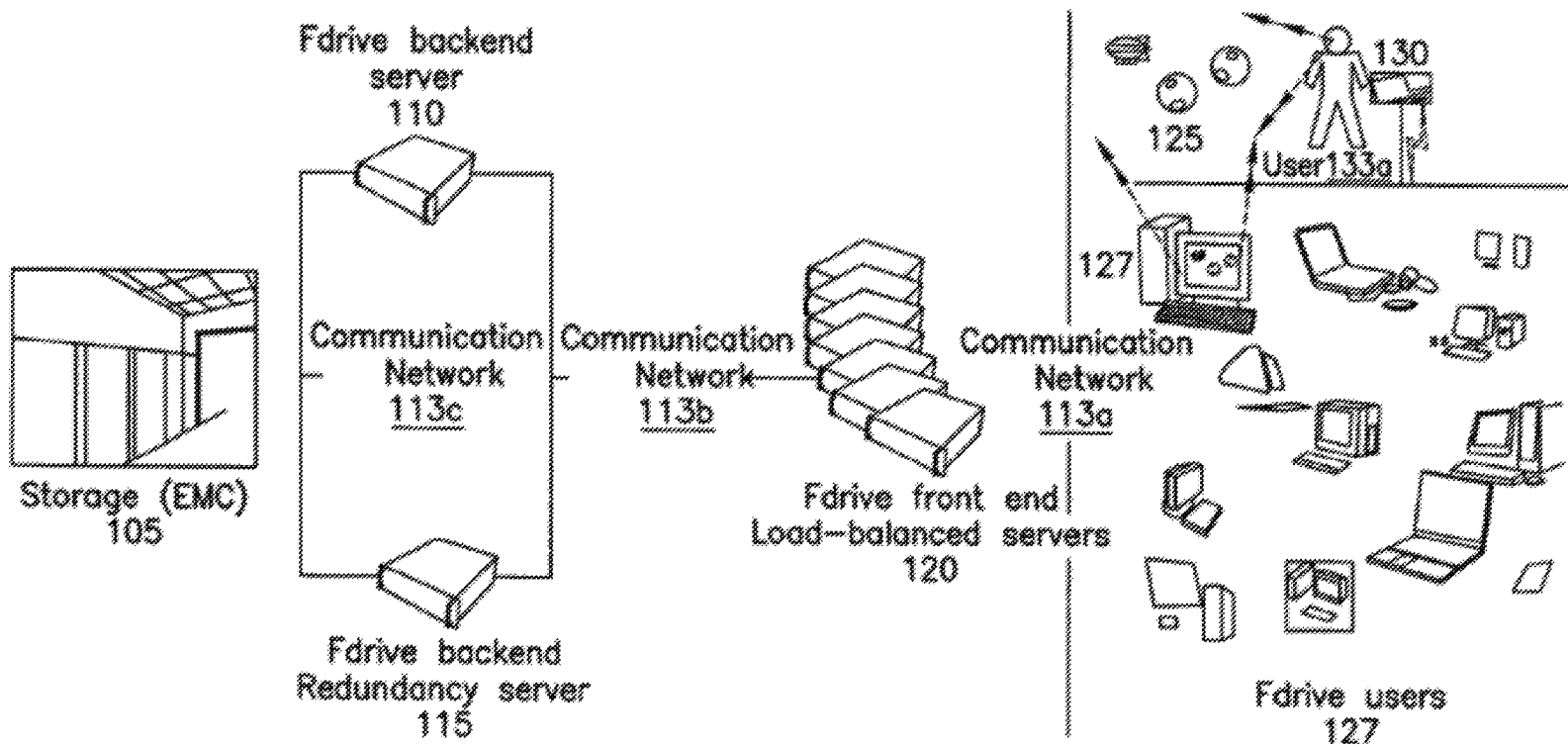


Fig. 1

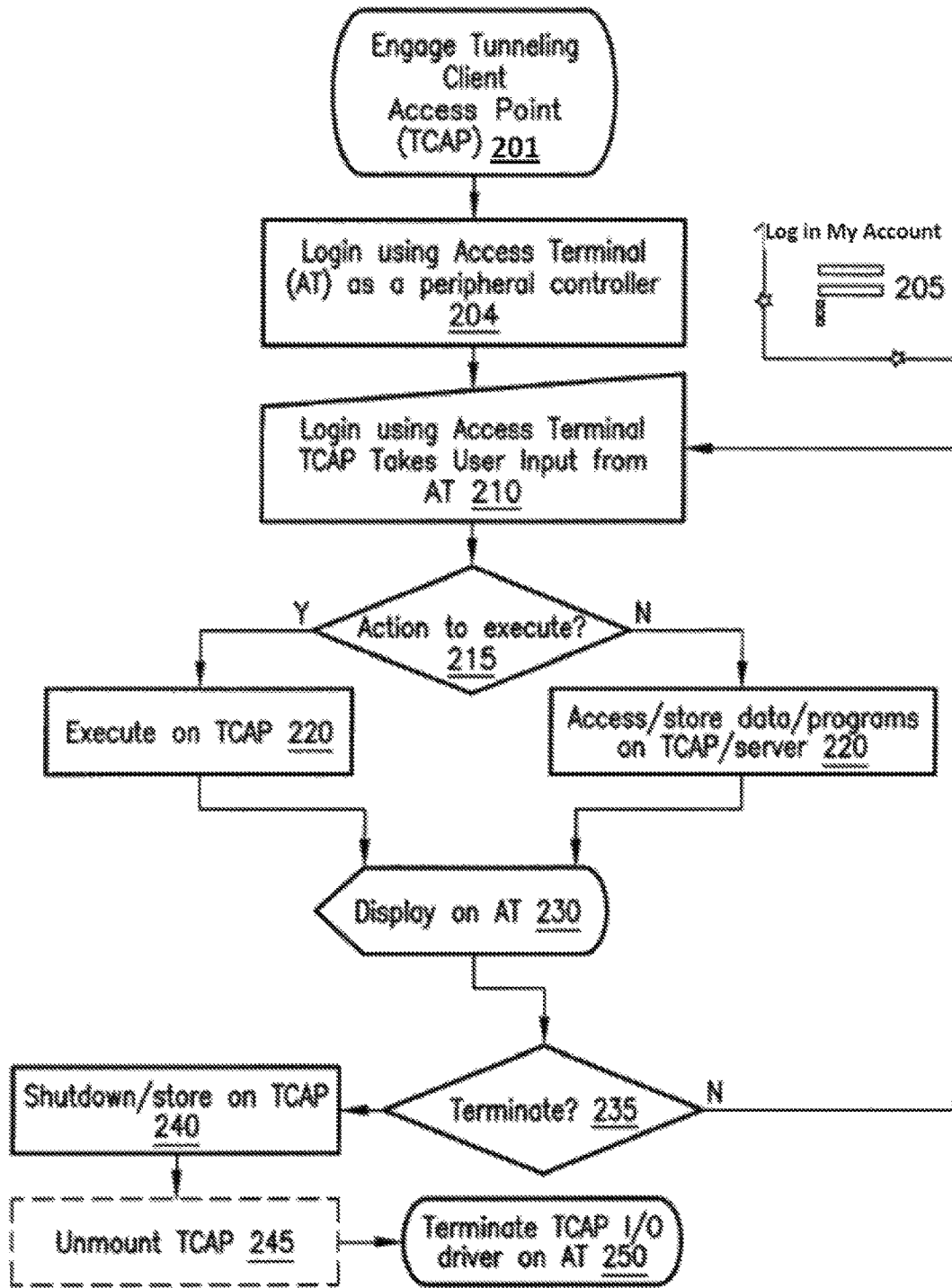


Fig. 2

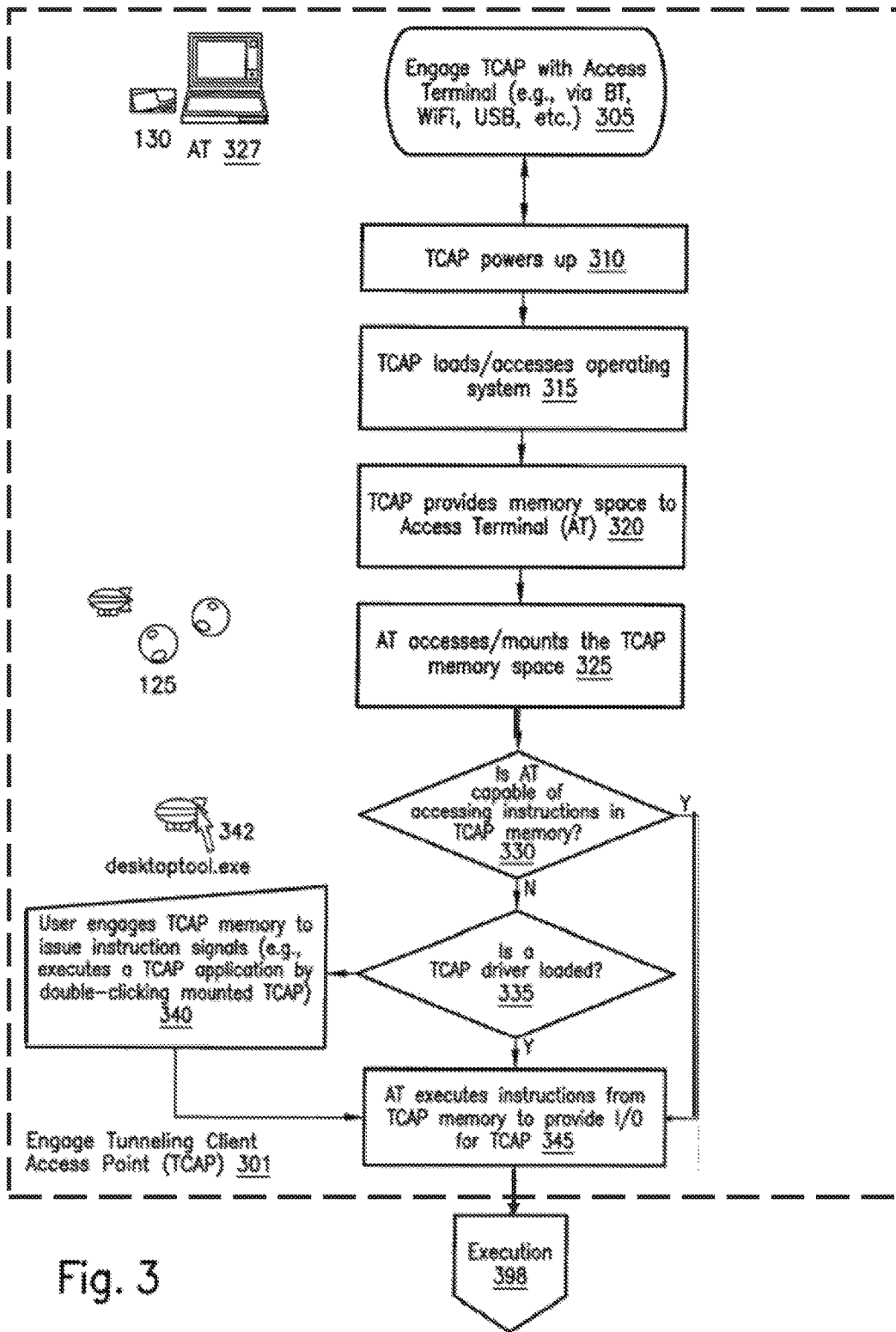


Fig. 3

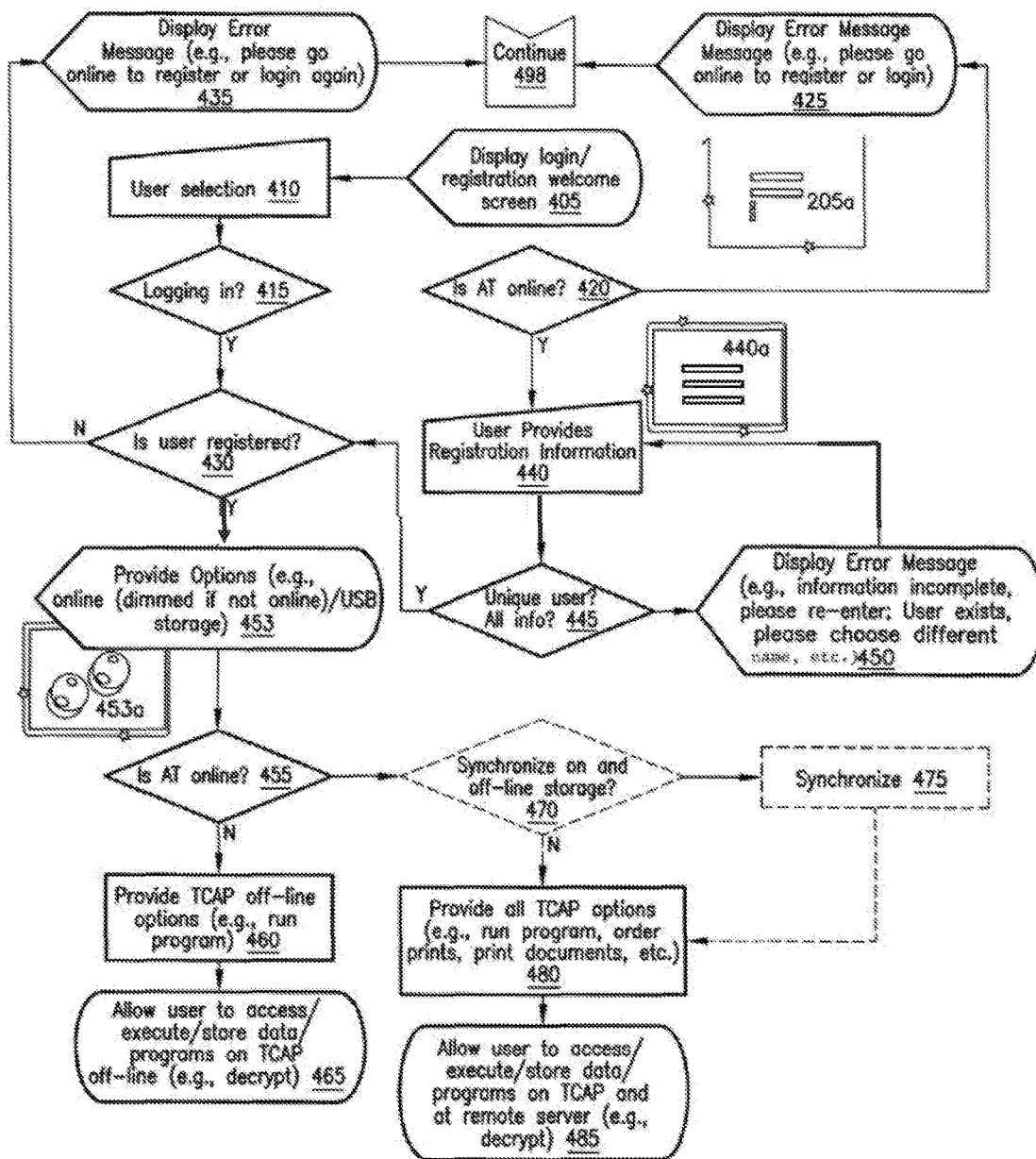


Fig. 4

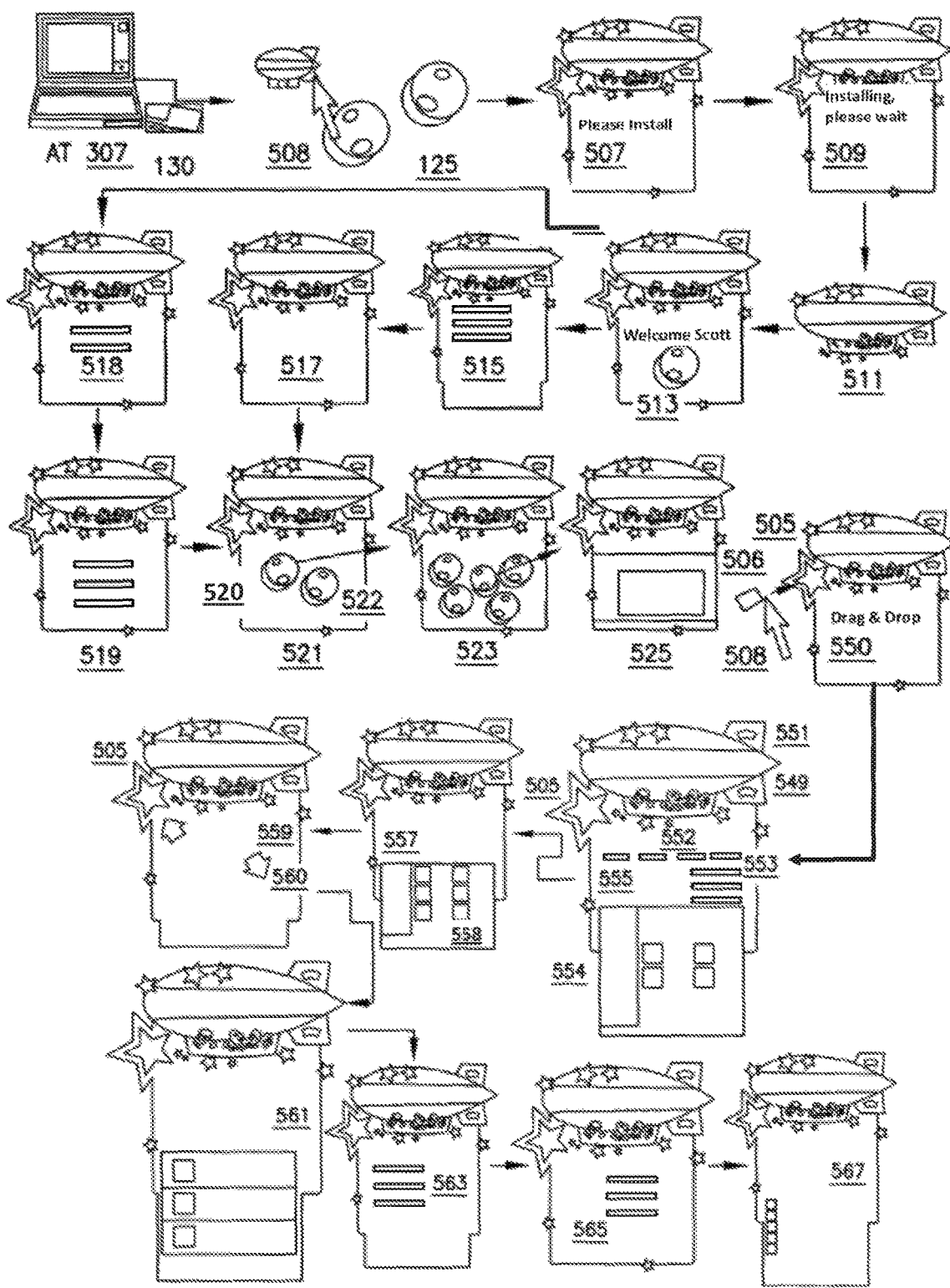


Fig. 5



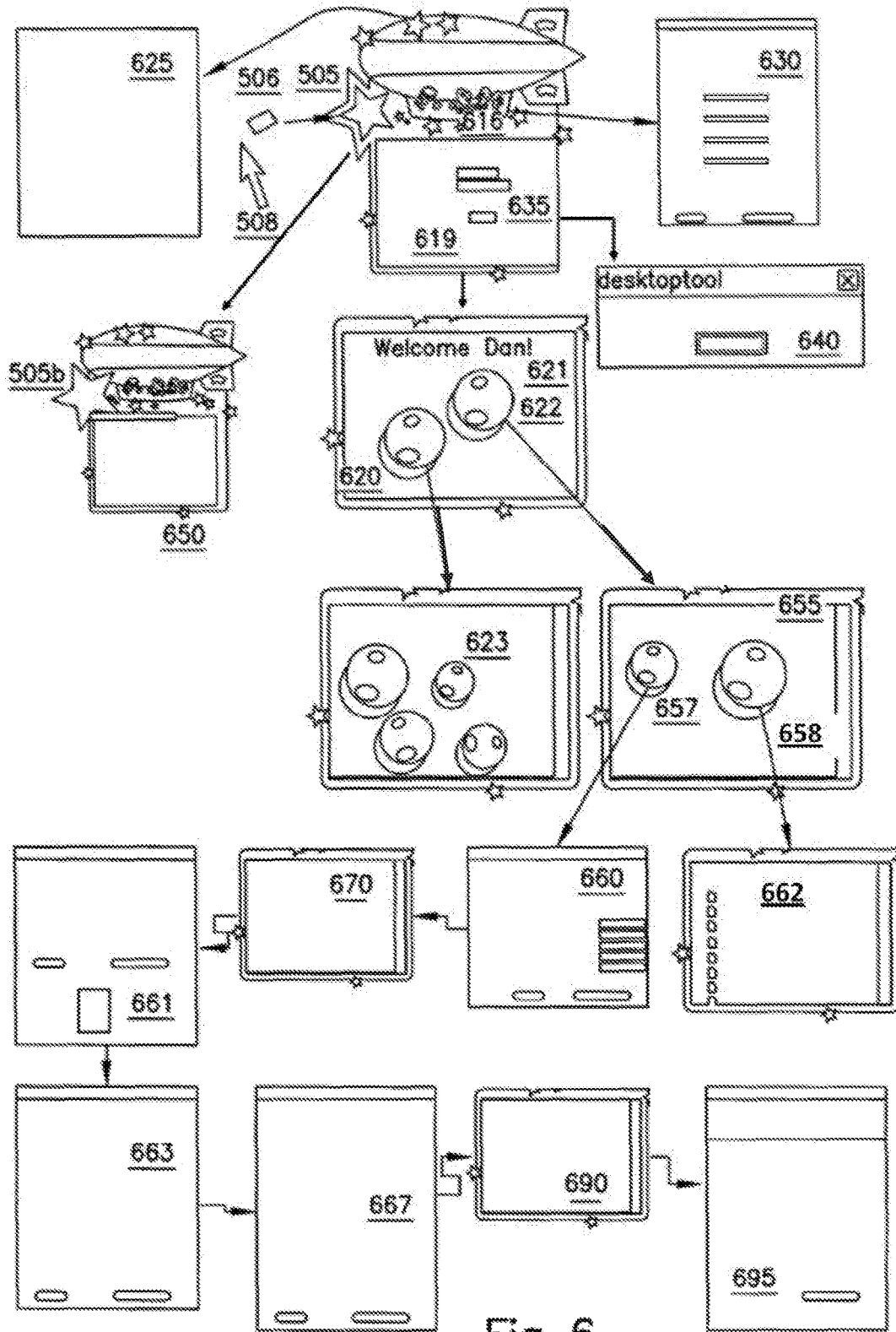


Fig. 6

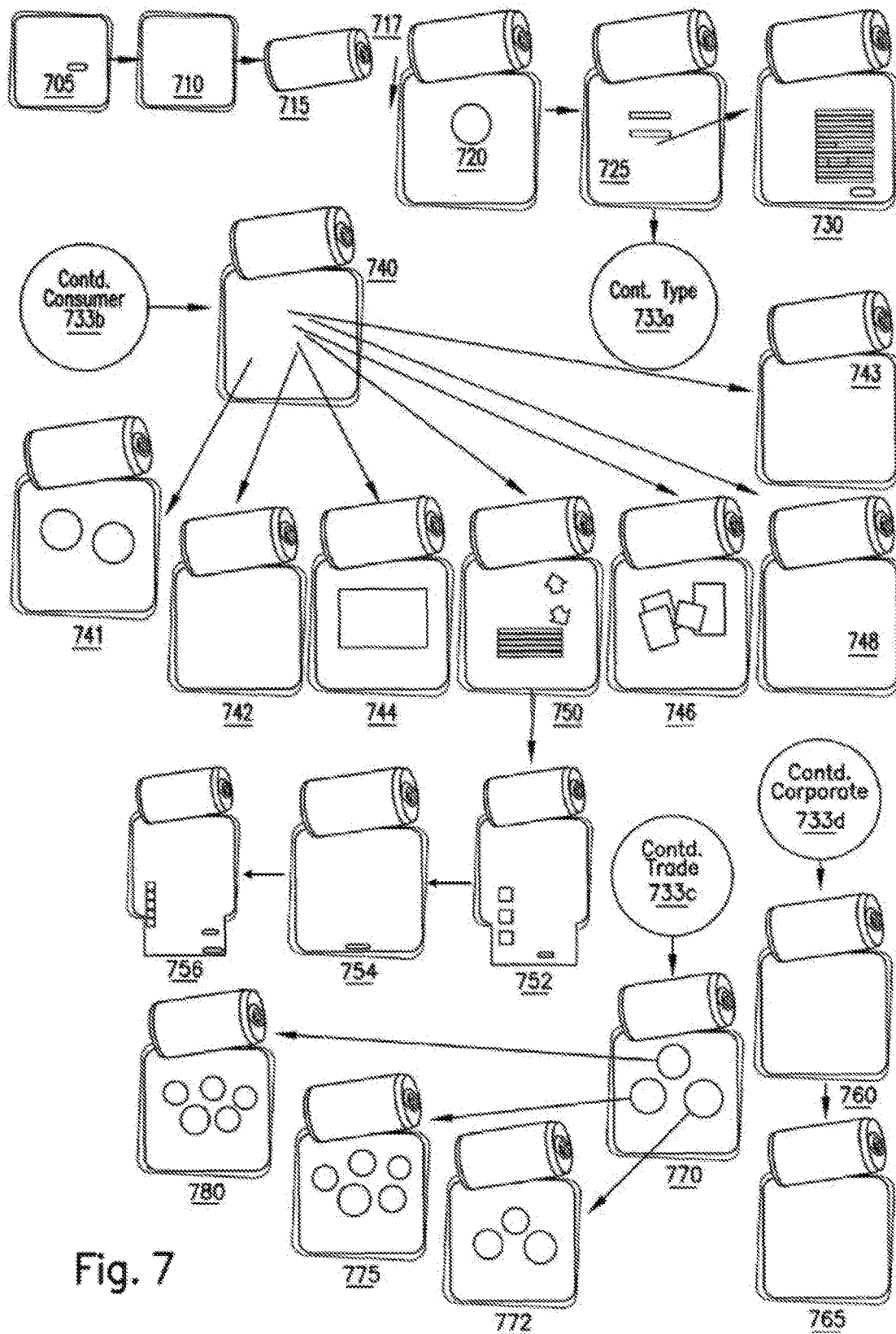


Fig. 7

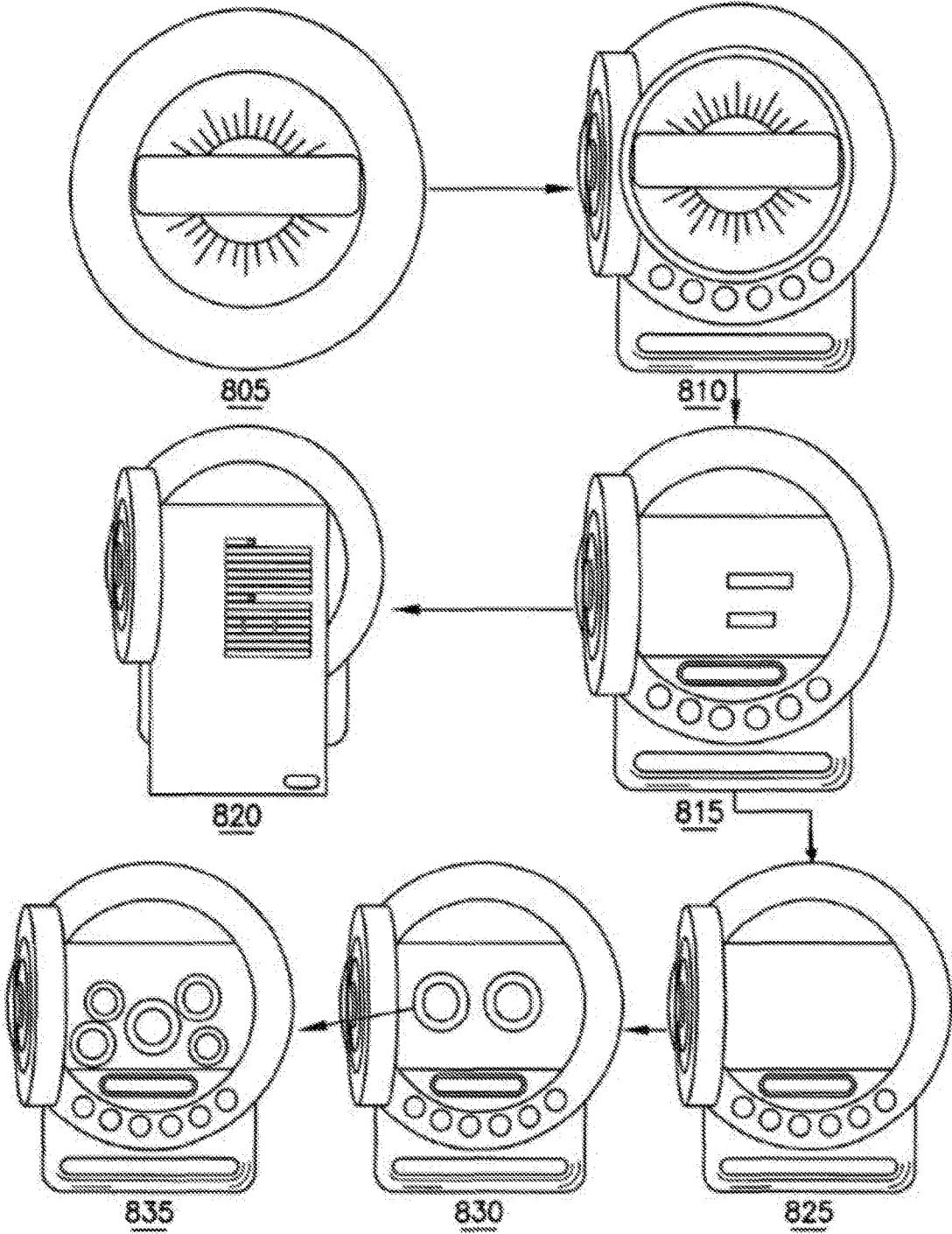


Fig. 8

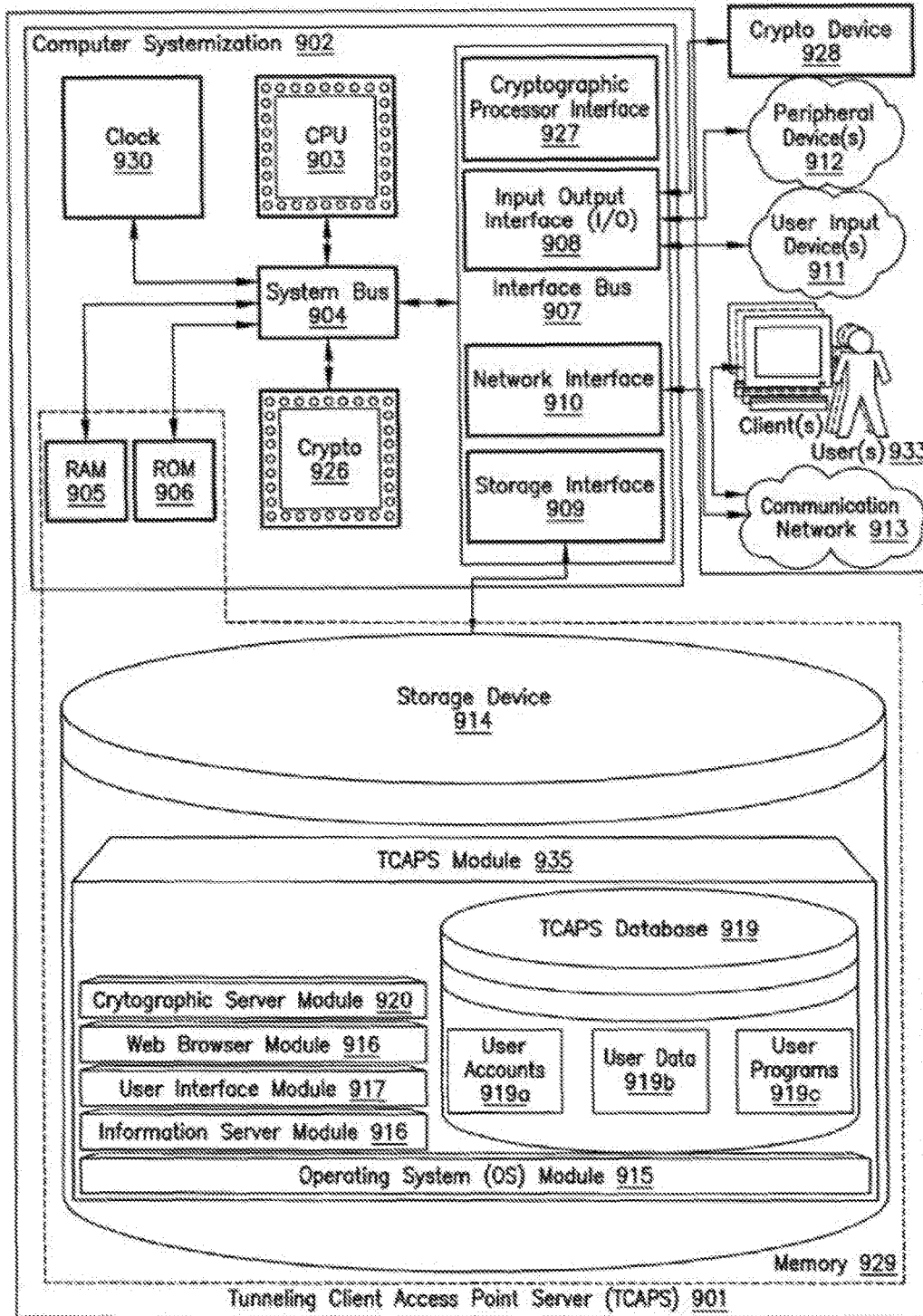


Fig. 9

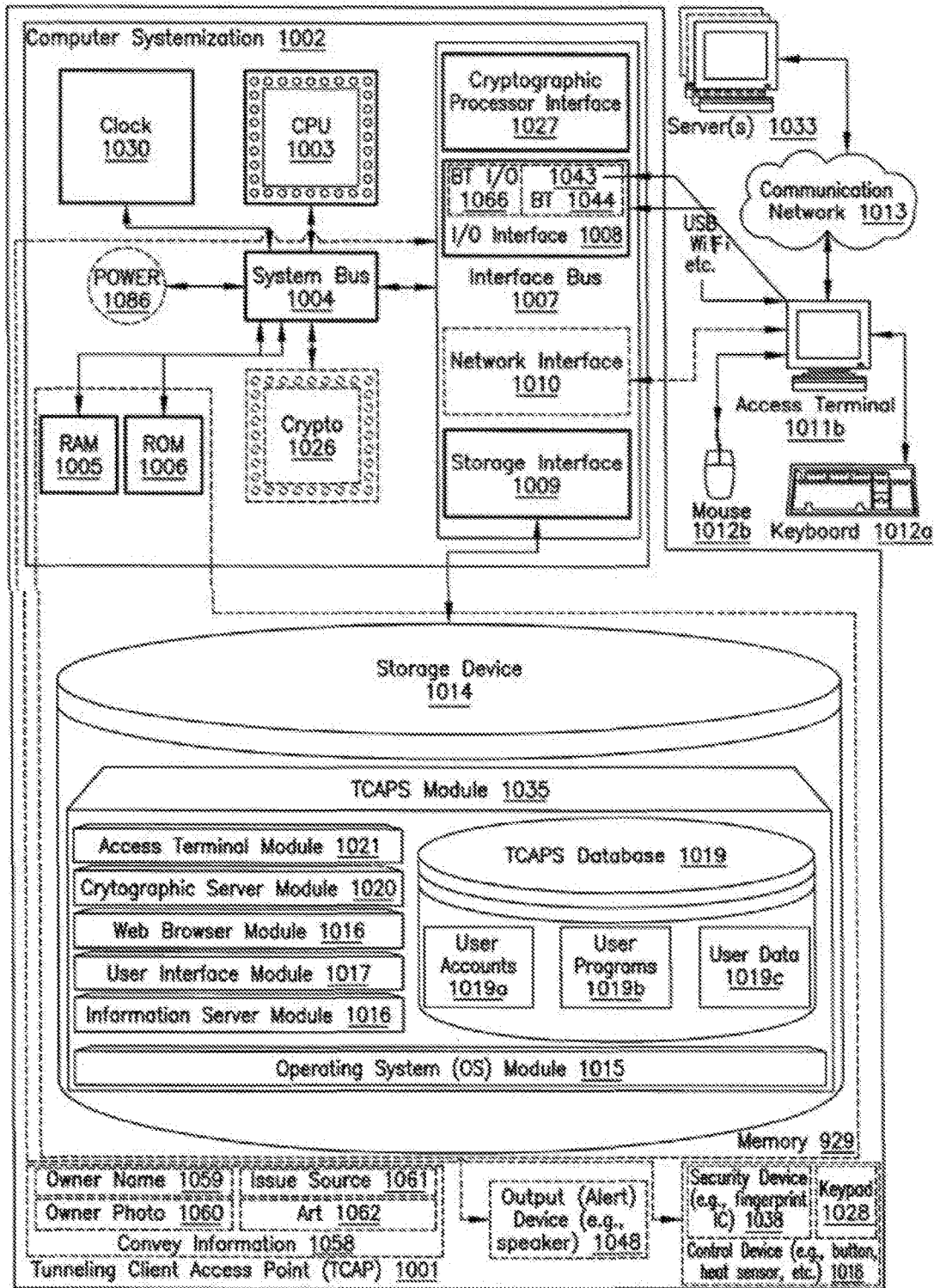


Fig.10

## APPARATUS, METHOD AND SYSTEM FOR A TUNNELING CLIENT ACCESS POINT

This application is a continuation of U.S. application Ser. No. 14/721,540, filed May 26, 2015, which is a continuation of U.S. application Ser. No. 13/960,514, filed Aug. 6, 2013, now U.S. Pat. No. 9,059,969, which is a continuation of U.S. application Ser. No. 12/950,321, filed Nov. 19, 2010, now U.S. Pat. No. 8,539,047, which is a continuation of U.S. application Ser. No. 10/807,731, filed on Mar. 23, 2004, now U.S. Pat. No. 7,861,006.

### FIELD

The present invention is directed generally to an apparatus, method, and system of accessing data, and more particularly, to an apparatus, method and system to transmit and process data comprising a portable device in communication with a terminal and a communications network comprising a plurality of communications network nodes.

### BACKGROUND

#### Portable Computing and Storage

Computing devices have been becoming smaller over time. Currently, some of the smallest computing devices are in the form of personal digital assistants (PDAs). Such devices usually come with a touch screen, an input stylus and/or mini keyboard, and battery source. These devices, typically, have storage capacities around 64 MB. Examples of these devices include Palm's Palm Pilot.

#### Information Technology Systems

Typically, users, which may be people and/or other systems, engage information technology systems (e.g., commonly computers) to facilitate information processing. In turn, computers employ processors to process information; such processors are often referred to as central processing units (CPU). A common form of processor is referred to as a microprocessor. A computer operating system, which, typically, is software executed by CPU on a computer, enables and facilitates users to access and operate computer information technology and resources. Common resources employed in information technology systems include: input and output mechanisms through which data may pass into and out of a computer; memory storage into which data may be saved; and processors by which information may be processed. Often information technology systems are used to collect data for later retrieval, analysis, and manipulation, commonly, which is facilitated through database software. Information technology systems provide interfaces that allow users to access and operate various system components.

#### User Interface

The function of computer interfaces in some respects is similar to automobile operation interfaces. Automobile operation interface elements such as steering wheels, gearshifts, and speedometers facilitate the access, operation, and display of automobile resources, functionality, and status. Computer interaction interface elements such as check boxes, cursors, menus, scrollers, and windows (collectively and commonly referred to as widgets) similarly facilitate the access, operation, and display of data and computer hardware and operating system resources, functionality, and status. Operation interfaces are commonly called user interfaces. Graphical user interfaces (GUIs) such as the Apple Macintosh Operating System's Aqua, Microsoft's Windows

XP, or Unix's X-Windows provide a baseline and means of accessing and displaying information, graphically, to users. Networks

Networks are commonly thought to comprise of the interconnection and interoperation of clients, servers, and intermediary nodes in a graph topology. It should be noted that the term "server" as used herein refers generally to a computer, other device, software, or combination thereof that processes and responds to the requests of remote users across a communications network. Servers serve their information to requesting "clients." The term "client" as used herein refers generally to a computer, other device, software, or combination thereof that is capable of processing and making requests and obtaining and processing any responses from servers across a communications network. A computer, other device, software, or combination thereof that facilitates, processes information and requests, and/or furthers the passage of information from a source user to a destination user is commonly referred to as a "node." Networks are generally thought to facilitate the transfer of information from source points to destinations. A node specifically tasked with furthering the passage of information from a source to a destination is commonly called a "router." There are many forms of networks such as Local Area Networks (LANs), Pico networks, Wide Area Networks (WANs), Wireless Networks (WLANs), etc. For example, the Internet is generally accepted as being an interconnection of a multitude of networks whereby remote clients and servers may access and interoperate with one another.

### SUMMARY

Although all of the aforementioned portable computing systems exist, no effective solution to securely access, execute, and process data is available in an extremely compact form. Currently, PDAs, which are considered among the smallest portable computing solution, are bulky, provide uncomfortably small user interfaces, and require too much power to maintain their data. Current PDA designs are complicated and cost a lot because they require great processing resources to provide custom user interfaces and operating systems. Further, current PDAs are generally limited in the amount of data they can store or access. No solution exists that allows users to employ traditional large user interfaces they are already comfortable with, provides greater portability, provides greater memory footprints, draws less power, and provides security for data on the device. As such, the disclosed tunneling client access point (TCAP) is very easy to use; at most it requires the user to simply plug the device into any existing and available desktop or laptop computer, through which, the TCAP can make use of a traditional user interface and input/output (I/O) peripherals, while the TCAP itself, otherwise, provides storage, execution, and/or processing resources. Thus, the TCAP requires no power source to maintain its data and allows for a highly portable "thumb" footprint. Also, by providing the equivalent of a plug-n-play virtual private network (VPN), the TCAP provides certain kinds of accessing of remote data in an easy and secure manner that was unavailable in the prior art.

In accordance with certain aspects of the disclosure, the above-identified problems of limited computing devices are overcome and a technical advance is achieved in the art of portable computing and data access. An exemplary tunneling client access point (TCAP) includes a method to dispose a portable storage device in communication with a terminal. The method includes providing the memory for access on

the terminal, executing processing instructions from the memory on the terminal to access the terminal, communicating through a conduit, and processing the processing instructions.

In accordance with another embodiment, a portable tunneling storage processor is disclosed. The apparatus has a memory and a processor disposed in communication with the memory, and configured to issue a plurality of processing instructions stored in the memory. Also, the apparatus has a conduit for external communications disposed in communication with the processor, configured to issue a plurality of communication instructions as provided by the processor, configured to issue the communication instructions as signals to engage in communications with other devices having compatible conduits, and configured to receive signals issued from the compatible conduits.

### BRIEF DESCRIPTION OF THE DRAWINGS

The accompanying drawings illustrate various non-limiting, example, inventive aspects in accordance with the present disclosure:

FIG. 1 is of a flow diagram illustrating embodiments of a tunneling client access point (TCAP);

FIG. 2 is of a flow diagram illustrating embodiments of a system of tunneling client access point and access terminal interaction;

FIG. 3 is of a flow diagram illustrating embodiments of engaging the tunneling client access point to an access terminal interaction;

FIG. 4 is of a flow diagram illustrating embodiments of accessing the tunneling client access point and server through an access terminal;

FIGS. 5-8 is of a flow diagram illustrating embodiments of facilities, programs, and/or services that the tunneling client access point and server may provide to the user as accessed through an access terminal;

FIG. 9 is of a block diagram illustrating embodiments of a tunneling client access point server controller;

FIG. 10 is of a block diagram illustrating embodiments of a tunneling client access point controller;

The leading number of each reference number within the drawings indicates the first figure in which that reference number is introduced. As such, reference number **101** is first introduced in FIG. 1. Reference number **201** is first introduced in FIG. 2, etc.

### DETAILED DESCRIPTION

#### Topology

FIG. 1 illustrates embodiments for a topology between a tunneling client access point (TCAP) (see FIG. 10 for more details on the TCAP) and TCAP server (TCAPS) (see FIG. 9 for more details on the TCAPS). In this embodiment, a user **133a** may plug-in a TCAP into any number of access terminals **127** located anywhere. Access terminals (ATs) may be any number of computing devices such as servers, workstations, desktop computers, laptops, portable digital assistants (PDAs), and/or the like. The type of AT used is not important other than the device should provide a compatible mechanism of engagement to the TCAP **130** and provide an operating environment for the user to engage the TCAP through the AT. In one embodiment, the TCAP provides a universal serial bus (USB) connector through which it may plug into an AT. In other embodiment, the TCAP may employ Bluetooth, WiFi and/or other wireless connectivity protocols to connect with ATs that are also so equipped. In

one embodiment, the AT provides Java and/or Windows runtime environments, which allows the TCAP to interact with the input/output mechanisms of the AT. See FIG. 9 for more details and embodiments on the types of connections that may be employed by the TCAP. Once the TCAP has engaged with an AT, it can provide the user with access to its storage and processing facilities.

If the AT is connected to a communication network **113**, the TCAP may then communicate beyond the AT. In one embodiment, the TCAP can provide extended storage and/or processing resources by engaging servers **110**, **115**, **120**, which have access to and can provide extended storage **105** to the TCAP through the AT. In one embodiment, a single server and storage device may provide such TCAP server support. In another embodiment, server support is provided over a communications network, e.g., the Internet, by an array of front-end load-balancing servers **120**. These servers can provide access to storage facilities within the servers or to remote storage **105** across a communications network **113b, c** (e.g., a local area network (LAN)). In such an embodiment, a backend server **110** may offload the front-end server with regard to data access to provide greater throughput. For purposes of load balancing and/or redundancy, a backup server **115** may be similarly situated to provide for access and backup in an efficient manner. In such an embodiment, the back-end servers may be connected to the front-end servers through a communications network **113b** (e.g., wide area network (WAN)). The backend servers **110**, **115** may be connected to the remote storage **105** through a communications network **113c** as well (e.g., a high speed LAN, fiber-channel, and/or the like).

Thus, to the user **133a**, the contents of the TCAP **130** appear on the AT as being contained on the TCAP **125** even though much of the contents may actually reside on the servers **115**, **120** and/or the servers' storage facilities **105**. In these ways, the TCAP "tunnels" data through an AT. The data may be provided through the AT's I/O for the user to observe without it actually residing on the AT. Also, the TCAP may tunnel data through an AT across a communications network to access remote servers without requiring its own more complicated set of peripherals and I/O.

TCAP and AT Interaction

FIG. 2 illustrates embodiments for a system of tunneling client access point (TCAP) (see FIG. 10 for more details on the TCAP) and access terminal interaction. FIG. 2 provides an overview for TCAP and AT interaction and subsequent figures will provide greater detail on elements of the interaction. In this embodiment, a user engages the TCAP **201**. For example, the user may plug the TCAP into an AT via the AT's USB port. Thereafter the user is presented with a login prompt **205** on the AT's display mechanism, e.g., on a video monitor. After a user successfully logs in (for example by providing a user name and password) **204**, the TCAP can then accept user inputs from the AT and its peripherals (the TCAP can then also provide output to the user via the AT's peripherals).

The user may employ the AT's input peripherals as user input devices that control actions on the TCAP. Depending on the user's actions **215**, the TCAP can be used by the AT as a storage device from which it can access and store data and programs **225**. For example, if the user takes the action of opening a file from the TCAP's memory, e.g., by double clicking on an icon when the TCAP is mounted as a USB drive on the AT, then the AT may treat the TCAP as a memory device and retrieve information from the TCAP **225**. If the user's action **215** is one that is directed at executing on the TCAP **215**, then the AT will not be involved

in any execution. For example, if the user drops an icon representing a graphics file onto a drag-and-drop location visually representing the TCAP, then the file may be copied to the TCAP where it will process and spool the file for sending the graphics file to be printed at a remote location. In such a case, all of the requirements to process and spool the file are handled by the TCAP's processor and the AT would only be used as a mechanism for user input and output and as a conduit through which the TCAP may send files.

Regardless of if there is an action **215** to execute on the TCAP **220** or to access or store data on the TCAP **225**, the AT is used to display the status of any actions **230**. At any time the user may select to terminate TCAP related facilities executing either on the AT, a backend server, on the TCAP itself, and/or the like **235**. In one embodiment, the user may select a quit option that is displayed on the AT's screen. In another embodiment, the user may simply disengage the TCAP from the AT by severing the connection (e.g., turning power off, physically pulling the device off the AT, turning off wireless transmissions, and/or the like). It should be noted that such abrupt severing may result in the loss of data, file corruption, etc. if the TCAP has not saved data that is on the AT or on some remote server, however, if the TCAP is employing flash like memory, its contents should remain intact.

If there is no instruction signal to terminate the TCAP **235**, execution will continue and the TCAP will continue to take and look for input from the user. Of course if the TCAP has been set to perform certain actions, those actions will continue to execute, and the TCAP may respond to remote servers when it is communicating with them through the AT. When the user issues a terminate signal **235**, then the TCAP will shut down by saving any data to the TCAP that is in the AT's memory and then terminating any programs executing on both the AT and TCAP that were executed by and/or from the TCAP **240**. If no activities are taking place on the TCAP and all the data is written back to the TCAP **240**, then the TCAP may optionally unmount itself from the AT's file-system **245**. At this point, if there is a TCAP I/O driver executing on the AT, that driver may be terminated as triggered by the absence of the TCAP at a mount point **250**. After the TCAP is unmounted and/or the TCAP I/O driver is terminated, it is safe to disengage the TCAP from the AT. TCAP and AT Interaction

FIG. 3 illustrates embodiments engaging the tunneling client access point to an access terminal interaction. Examples of engaging the TCAP **301** with an AT were discussed above in FIG. 1 **127, 130, 133a** and FIG. 2 **201**. In one embodiment, the TCAP **130** is engaged with an access terminal **327, 305**. As mentioned in FIG. 1, the TCAP is capable of engaging with ATs using a number of mechanisms. In one embodiment, the TCAP has a USB connector for plugging into an AT, which acts as a conduit for power and data transfer. In another embodiment, the TCAP may use Bluetooth to establish a wireless connection with a number of ATs. In another embodiment, the TCAP may employ WiFi. In yet another embodiment, the TCAP may employ multiple communications mechanisms. It should be noted, with some wireless mechanisms like Bluetooth and WiFi, simply coming into proximity with an AT that is configured for such wireless communication may result in the TCAP engaging with and establish a communications link with the AT. In one embodiment, the TCAP has a "connect" button that will allow such otherwise automatically engaging interactions take place only if the "connect"

button is engaged by a user. Such an implementation may provide greater security for users (see FIG. 10 for more details on the TCAP).

After being engaged **305**, the TCAP will then power on. In an embodiment requiring a direct connection, e.g., USB, simply plugging the TCAP into the AT provides power. In a wireless embodiment, the TCAP may be on in a lower powered state or otherwise turned on by engaging the connect button as discussed above. In such an embodiment, the TCAP can employ various on-board power sources (see FIG. 10 for more details on the TCAP). The TCAP then may load its own operating system **315**. The operating system can provide for interaction with the AT. In one embodiment, a Java runtime is executed on the TCAP, and Java applets communicate with the AT through Java APIs. In another embodiment, a driver is loaded onto the AT, and the on-TCAP Java operating system applets communicate to and through the AT via the driver running on the AT, wherein the driver provides an API through and to which messages may be sent.

After engaging with the AT, the TCAP can provide its memory space to the AT **320**. In one embodiment, the TCAP's memory is mapped and mounted as a virtual disk drive **125 storage 325**. In this manner, the TCAP may be accessed and manipulated as a standard storage device through the AT's operating system. Further, the TCAP and in some cases the AT can determine if the AT is capable of accessing program instructions stored in the TCAP's memory **330**. In one embodiment, the AT's operating system looks to auto-run a specified file from any drive as it mounts. In such an embodiment, the TCAP's primary interface may be specified in such a boot sequence. For example, under windows, an autorun.inf file can specify the opening of a program from the TCAP by the AT; e.g., OPEN=TCAP.EXE.

Many operating systems are capable of at least accessing the TCAP as a USB memory drive **330** and mounting its contents as a drive, which usually becomes accessible in file browsing window **125**. If the TCAP does not mount, the AT's operating system will usually generate an error informing the user of a mounting problem. If the AT is not capable of executing instruction from the TCAP, a determination is made if an appropriate driver is loaded on the AT to access the TCAP **335**. In one embodiment, the TCAP can check to see if an API is running on the AT. For example, the TCAP provide an executable to be launched, e.g., as specified through autorun.inf, and can establish communications through its connection to the AT, e.g., employing TCP/IP communications over the USB port. In such an embodiment, the TCAP can ping the AT for the program, and if an acknowledgement is received, the TCAP has determined that proper drivers and APIs exist. If no such API exists, the TCAP may launch a driver installation program for the AT as through an autorun.inf. In an alternative embodiment, if nothing happens, a user may double click onto an installer program that is stored on the mounted TCAP **342, 340**. It should be noted, that although the TCAP's memory space may be mounted, certain areas of the TCAP may be inaccessible until there is an authorization. For example, certain areas and content on the TCAP may be encrypted. It should be noted that any such access terminal modules that drive AT and TCAP interaction may be saved onto the TCAP by copying the module to a mounted TCAP. Nevertheless, if the AT is capable of accessing program instructions in TCAP memory **330**, a TCAP driver is loaded on the AT **335**, and/or the user engages a program in the TCAP memory **340**, then the AT can execute program instructions from the TCAP's



memory, which allows the TCAP to use the AT's I/O and allowing the user to interface with TCAP facilities 345. It should be noted that some ATs may not be able to mount the TCAP at all. In such an instance, the user may have to install the TCAP drivers by downloading them from a server on the Internet, loading them from a diskette or CD, and/or the like. Once the TCAP is engaged to the AT 301, execution may continue 398.

#### TCAP and AT Interaction

FIG. 4 illustrates embodiments accessing the tunneling client access point and server through an access terminal. Upon engaging the TCAP to the AT as described in FIG. 3 301, 398, the user may then go on to access the TCAP and its services 498. It should be noted that users may access certain unprotected areas of the TCAP once it has been mounted, as described in FIG. 3. However, to more fully access the TCAP's facilities, the user may be prompted to either login and/or registration window 205a to access the TCAP and its services, which may be displayed on the AT 405. It is important to note that in one embodiment, the execution of the login and/or registration routines are handled by the TCAP's processor. In such an embodiment, the TCAP may run a small Web server providing login facilities, and connect to other Web based services through the AT's connection to the Internet. Further, the TCAP may employ a basic Web browsing core engine by which it may connect to Web services through the AT's connection to a communications network like the Internet. For purposes of security, in one embodiment, the TCAP may connect to a remote server by employing a secure connection, e.g., HTTPS, VPN, and/or the like.

Upon displaying a login window 405, e.g., 205a, the user may select to register to access the TCAP and its services, or they may simply log in by providing security verification. In one example, security authorization may be granted by simply providing a user and password as provided through a registration process. In another embodiment, authorization may be granted through biometric data. For example, the TCAP may integrate a fingerprint and/or heat sensor IC into its housing. Employing such a device, and simply by providing one's finger print by laying your finger to the TCAP's surface, would provide the login facility with authorization if the user's finger print matches one that was stored during the registration process.

If the user does not attempt to login 415, i.e., if the user wishes to register to use the TCAP and its services, then the TCAP can determine if the AT is online 420. This may be accomplished in a number of ways. In one embodiment, the TCAP itself may simply ping a given server and if acknowledgement of receipt is received, the TCAP is online. In another embodiment, the TCAP can query for online status by engaging the AT through the installed APIs. If the AT is not online, then the user may be presented with an error message 425. Thus, if a user does not have a login, and does not have the ability to register, then restricted areas of the TCAP will remain unavailable. Thereafter, flow can continue 498 and the user may have another opportunity to login and/or register. In one embodiment as a login integrity check, the TCAP keeps track of the number of failed attempts to login and/or register and may lock-out all further access if a specified number of failed attempts occurs. In one embodiment, the lockdown may be permanent by erasing all data on the TCAP. In another embodiment, the TCAP will disallow further attempts for a specified period of time.

If the user is attempting to register 415, and the AT is online 420, then the user may provide registration information 440 into a screen form 440a. Registration information

fields may require a user's name, address, email address, credit card information, biometric information (e.g., requiring the user to touch a biometric fingerprint IC on the TCAP), and/or the like. The TCAP may determine if all the information was provided as required for registration and may query backend servers to determine if the user information is unique 445. If the user did not properly fill out the registration information or if another user is already registered, the TCAP can provide an error message to such effect. Also, both the TCAP and its back-end servers may make log entries tracking such failed attempts for purposes of defending against fraud and/or security breaches. The user may then modify the registration information 440 and again attempt to register. Similarly to the login integrity checks, the TCAP can lockout registration attempts if the user fails to register more than some specified number of times.

Upon providing proper registration information 445 or proper login authentication 415, the TCAP can query backend servers to see if the user is registered. In one embodiment, such verification may be achieved by sending a query to the servers to check its database for the authorization information and/or for duplicate registrations. The servers would then respond providing an acknowledgment of proper registration and authorization to access data on the backend servers. If the users are not registered on the backend servers 430, then the TCAP can provide an error message to the user for display on the AT to such effect 435. In an alternative embodiment, the registration information may be stored on the TCAP itself. In one embodiment, the registration would be maintained in encrypted form. Thus, the user's login information may be checked relative to the information the TCAP itself, and if there is a match, access may be granted, otherwise an error message will be displayed 435. The TCAP may then continue 498 to operate as if it were just engaged to the AT.

If the user is confirmed to be registered 430, then the TCAP may provide options for display 453, 453a. Depending on the context and purpose of a particular TCAP, the options may vary. For example, the a screen 453a may provide the user with the options to access data either online or offline. The user might simply click on a button and gain secure access to such data that may be decrypted by the TCAP. In one embodiment, the TCAP will determine if the AT is online 455. If this was already determined 420, this check 455 may be skipped.

If the AT is online 455, optionally, the TCAP determines if the user wishes to synchronize the contents of the TCAP with storage facilities at the backend server 470. In one embodiment, the user may designate that such synchronization is to always take place. If synchronization is specified 470, then the TCAP will provide and receive updated data to and from the backend servers, overwriting older data with updated versions of the data 475. If the AT is online 455 and/or after any synchronization 475, the TCAP may provide the user with all of its service options as authorized by the account and programs available on the TCAP and at the backend server 480. Once again, these facilities, programs, and/or services may vary greatly depending on the context and deployment requirements of the user. The options to be presented to the user from the TCAP or the TCAP services from the backend server, as displayed through the TCAP onto the AT's display 480, are myriad and some example embodiments are provided in FIGS. 5-8. Upon presenting the user with the options, the user is then able to access, execute, store data and programs on the TCAP and on the

remote server **485**. All areas of the TCAP and services are then open, including any encrypted data areas.

If the AT is not online **455**, the TCAP may provide options for the user not including online services **460**. In one embodiment, the online options that may be presented on the AT display will be dimmed and/or omitted to reflect the lack of accessibility. However, the user will be able to access, execute, store data and programs on the TCAP, including any encrypted data areas **465**.

TCAP Facilities and Services

FIGS. **5-8** illustrate embodiments of facilities, programs, and/or services that the tunneling client access point and server may provide to the user as accessed through an AT. Any particular set of facilities may have a myriad of options. The options and the general nature of the facilities provided on any particular TCAP are dependant upon the requirements of a given set of users. For example, certain groups and/or agencies may require TCAPS to be targeted towards consumer photographs, and may employ TCAPs to further that end. Other groups may require high security facilities, and tailor the TCAPs accordingly. In various environments, an organization may wish to provide a secure infrastructure to all of its agents for securely accessing the organization's data from anywhere and such an organization could tailor the TCAPs contents to reflect and respond to its needs. By providing a generalized infrastructure on the TCAP backend servers and within the TCAP by using a generalized processor, the TCAPs may be deployed in numerous environments.

In one particular embodiment as in FIG. **5**, the TCAP provides facilities to access, process, and store email, files, music, photos and videos through the TCAP. Upon engaging **101** of FIG. **1** the TCAP **130** to an AT **307**, the TCAP will mount and display through the AT's file browser window **125** of FIG. **1**. As has already described, in the case where the AT has no TCAP driver software, the user may double click on the installer software stored on the TCAP **507**. Doing so will launch the installer software from the TCAP's memory to execute on the AT, and the user may be presented with a window to confirm the desire to install the TCAP software onto the AT **507**. Upon confirming the install **507**, the software will install on the AT and the user will be asked to wait as they are apprised of the install progress **509**.

Upon installation, the TCAP front-end software may execute and present the user with various options in various and fanciful interface formats **511**, **460**, **480** of FIG. **4**. In one embodiment, these user interfaces and programs are Java applications that may execute on the AT and a present Java runtime. In an alternative embodiment, a small applet may run on the AT, but all other activities may execute on the TCAP's processor, which would use the AT display only as a display terminal. In the embodiment where the TCAP executes program instructions, the TCAP may be engaged to receive commands and execute by receiving a signal from the access terminal driver instructing it to execute certain program files or, alternatively, looking to default location and executing program instructions. In yet another embodiment, the TCAP may obtain updated interfaces and programs from a backend server for execution either on the TCAP itself and/or the AT; this may be done by synchronization with the backend server and checking for updates of specified files at the backend server. By engaging the user interface, perhaps by clicking on a button to open the TCAP facilities and services **511**, the interface may further unfurl to present options to access said facilities and services **513**. Here, the interface may reflect ownership of the TCAP by providing a welcome screen and showing some resources

available to the user; for example, a button entitled "My Stuff" may serve as a mechanism to advance the user to a screen where they may access their personal data store. At this point the user may attempt to login to access their data by engaging an appropriate button, which will take them to a screen that will accept login information **519**. Alternatively, the user may also register if it is their first time using the TCAP by selecting an appropriate button, which will advance the user to a registration screen **515** wherein the user may enter their name, address, credit card information, etc. Upon successfully providing registration information, the user may be prompted for response to further solicitations on a follow-up screen **517**. For example, depending on the services offered for a particular TCAP, the user may be provided certain perks like 5 MB of free online storage on a backend server, free photographic prints, free email access, and/or the like **517**.

After the user is prompted to login **518** and successfully provides proper login information **519**, or after successfully registering **515** and having responded to any solicitations **517**, the user may be provided with general options **521** to access data stored on the TCAP itself **522** or in their online account **520** maintained on a backend server. For example, if the user selects the option to access their online storage **520**, they may be presented with more options to interact with email, files, music, photos and videos that are available online **523**. Perhaps if the user wished to check their email, the user might select to interact with their email, and a screen allowing them to navigate through their email account(s) would be presented **525**. Such online access to data may be facilitated through http protocols whereby the TCAP applications send and receive data through http commands across a communications network interacting with the backend servers and/or other servers. Any received results may be parsed and imbedded in a GUI representation of a Java application. For example, the email facility may run as a Java applet **525** and may employ a POP mail protocol to pull data from a specified mail server to present to the user.

Similarly, many other facilities may be engaged by the user through the TCAP. In one embodiment, the user may drag **508** a file **506** onto a drag-and-drop zone **505** that is presented on the TCAP interface. Upon so doing, various drag-and-drop options may unfurl and present themselves to the user **550**. It should be noted that the file may come from anywhere, i.e., from the AT, the TCAP, and/or otherwise. For example, upon dragging and dropping a graphics file, a user may be prompted with options to order prints, upload the file to an online storage space, save the file to the TCAP's memory space, cancel the action, and/or the like **550**. If the user sends the file for storage, or otherwise wishes to see and manage their data, an interface allowing for such management may be presented **555**. The interface may organize and allow access to general data, picture, and music formats **554**, provide usage statistics (e.g., free space, capacity, used space, etc.) **553**, provide actions to manipulate and organize the data **552**, provide status on storage usage on the TCAP **551** and online **549**, and/or the like.

Should the user engage a user interface element indicating the wish to manipulate their picture data **548**, the TCAP interface will update to allow more specific interaction with the user's photos **557**. In such a screen, the user may select various stored pictures and then indicate a desire to order photo prints by engaging the appropriate user interface element **558**. Should the user indicate their desire for prints **558**, they will be presented with an updated interface allowing the specification of what graphics files they wish to have printed **559**. In one embodiment, the users may drag-and-

drop files into a drop zone, or otherwise engage file browsing mechanisms **560** that allow for the selection of desired files. Upon having identified the files for prints **559**, a user may be presented with an interface allowing for the selection of print sizes and quantities **561**. After making such specifications, the user may be required to provide shipping information **563** and information for payments **565**. After providing the billing information to a backend server for processing and approval, the user may be presented with a confirmation interface allowing for editing of the order, providing confirmation of costs, and allowing for submission of a final order for the selected prints **567**. Upon submitting the order, the TCAP will process the files for spooling to a backend server that will accept the order and files, which will be developed as prints and the user's account will be charged accordingly. In one embodiment, all of the above order and image processing operations occur and execute on the TCAP CPU. For example, the TCAP may employ various rendering technologies, e.g., ghostscript, to allow it to read and save PDFs and other media formats.

FIG. **6** goes on to illustrate embodiments and facets of the facilities of FIG. **5**. The TCAP interface allows the user to perform various actions at any given moment. As has already been discussed in FIG. **5**, the user may drag **508** a file **506** onto a drag and drop zone **505** so as to provide the file to the TCAP for further manipulation. As in **550** of FIG. **5**, the user may be presented with various options subsequent to a drag-and-drop operation. Also, the TCAP interface may provide visual feedback that files have been dropped in the drop zone by highlighting the drop zone **505b**. Should the user wish, they may close the TCAP interface by engaging a close option **633**. Also, the ability to change and/or update their personal information may be accessed through the TCAP interface **616**, which would provide a form allowing the user to update their registration information **630**. In one embodiment, should the user forget their login information, they may request login help **635** and the TCAP will send their authorization information to the last known email address and inform the user of same **640**. Also, the TCAP interface may provide help facilities that may be accessed at any time by simply engaging a help facility user interface element **617**. So doing will provide the user with help screen information as to how to interact with the TCAP's facilities **625**.

Upon providing proper login information **619** and logging-in **619**, the user may be presented with a welcome screen with various options to access their data **621** as has already been discussed in FIG. **5**, **521**. By engaging a user interface element to access online storage **620**, the user may be presented with various options to interact with online storage **623**, **523** of FIG. **5**. Should the user wish to interact with data on the TCAP itself, the user may indicate so by engaging the appropriate user interface option **622**. So doing will provide the user with further options related to data stored on the TCAP **655**. The user may engage an option to view the storage contents **658** and the TCAP interface will provide a listing of the contents **662**, which may be manipulated through selection and drag-and-drop operations with the files.

In one embodiment, the user may order prints of photos **657** from files that are on the TCAP itself. As discussed in FIG. **5**, the user may select files for which they desire prints **660**. Here, the selected files will first be processed by the TCAP in preparation for sending to backend servers and file manipulations **670**. The user may specify various attributes regarding the prints they desire, e.g., the size, number, cropping, red-eye correction, visual effects, and/or the like

**661**. In one embodiment, such processing occurs on the TCAP processor, while in other embodiments such processing can take place on the AT or backend server. Once again, the user may provide a shipping address **663**, and make a final review to place the order **667**. Upon committing to the order **667**, the processed files are uploaded to the backend servers that will use the files to generate prints **690**. A confirmation screen may then be provided to the user with an order number and other relevant information **695**.

FIG. **7** goes on to illustrate embodiments and facets of the facilities of FIGS. **5-6** as may apply in different environments. As is demonstrated, the look and feel of the TCAP interface is highly malleable and can serve in many environments. FIG. **7** illustrates that even within a single organization, various environments might benefit from TCAPs and services tailored to serve such environments **733b-d**. In this case TCAPs can serve in consumer **733b**, industry trade **733c**, corporate **733d**, and/or the like environments.

As has already been discussed, initially in any of the environments, after engaging the TCAP to an AT, the user may be prompted to install the TCAP interface **705** and informed of the installation procedure **710**. The user may then be presented with the installed TCAP interface **715**, which may be activated by engaging an interface element to unfurl the interface, e.g., in this case by opening the top to a can of soda **717**. Opening the interface will present the user with various options as **720**, as has already been discussed in FIGS. **5-6**. Similarly the user may login **725** or make a selection to register for various TCAP services and provide the requisite information in the provided form **730**. Upon registering and/or logging-in **725**, various options may be presented based upon the configuration of the TCAP. For example, if the TCAP was configured and tailored for consumers, then upon logging in **725** the consumer user might be presented **733a-b** with various consumer related options **740**. Similarly, if the TCAP were tailored for **733a, c** the trade industry or **733a, d** the corporate environment, options specific to the trade industry **770** and corporate environment **760** may be presented.

In one embodiment, an organization wishing to provide TCAPs to consumers might provide options **740** for free music downloads **743**, free Internet radio streaming **748**, free news (e.g., provided through an RSS feed from a server) **766**, free photo printing **750**, free email **740**, free coupons **742**, free online storage **741**, and/or the like. Users could further engage such services (e.g., clicking free music file links for downloading to the TCAP, by ordering prints **750**, etc. For example, the user may select files on the TCAP **750**, select the types of photos they would like to receive **752**, specify a delivery address **754**, confirm the order **756** all of which will result in the TCAP processing the files and uploading them to the backend servers for generation of prints (as has already been discussed in FIGS. **5-6**).

In another embodiment, an organization wishing to provide TCAPs to a trade industry might provide options **770** for advertising **780**, events **775**, promotions **772**, and/or the like. It is important to note that information regarding such options may be stored either on the TCAP or at a backend server. In one embodiment, such information may be constantly synchronized from the backend servers to the TCAPs. This would allow an organization to provide updates to the trade industry to all authorized TCAP "key holders." In such an embodiment, the user may be presented with various advertising related materials for the organization, e.g., print, television, outdoor, radio, web, and/or the like **780**. With regard to events, the user may be presented with various related materials for the organization, e.g.,

trade shows, music regional, sponsorship, Web, and/or the like 775. With regard to promotions, the user may be presented with various related materials for the organization, e.g., rebates, coupons, premiums, and/or the like 772.

In another embodiment, an organization wishing to provide TCAPs to those in the corporate environment and might provide options relating to various corporate entities 760. Selecting any of the corporate entities 760 may provide the user with options to view various reports, presentations, and/or the like, e.g., annual reports, 10K reports, and/or the like 765. Similarly, the reports may reside on the TCAP and/or the corporate TCAP can act as a security key allowing the user to see the latest corporate related materials from a remote backend server.

FIG. 8 goes on to illustrate embodiments and facets of the facilities of FIGS. 5-7 as may apply in different environments. FIG. 8 illustrates that TCAPs may serve to provide heightened security to any environment. As has been discussed in previous figures, users may engage the TCAP interface 805 to access various options 810. The TCAP interface is highly adaptable and various services may be presented within it. For example, a stock ticker may be provided as part of the interface in a financial setting 810. Any number of live data feeds may dynamically update on the face of the interface. Upon logging-in 815 or registering a new account 820, the user may be informed that communications that are taking place are secured 825. In one embodiment, various encryption formats may be used by the TCAP to send information securely to the backend servers. It is important to note that in such an embodiment, even if data moving out of the TCAP and across the AT were captured at the AT, such data would not be readable because the data was encrypted by the TCAP's processor. As such, the TCAP acts as a "key" and provides a plug-and-play VPN to users. Such functionality, heretofore, has been very difficult to set up and/or maintain. In this way, all communications, options presented and views of user data are made available only to the TCAP with the proper decryption key. In heightened security environments, display of TCAP data is provided on the screen only in bitmapped format straight to the video memory of the AT and, therefore, is not stored anywhere else on the AT. This decreases the likelihood of capturing sensitive data. As such, the user may access their data on the TCAP and/or online 830 in a secure form whereby the user may navigate and interact with his/her data and various services 835 in a secure manner.

#### Tunneling Client Access Point Server Controller

FIG. 9 illustrates one embodiment incorporated into a tunneling client access point server (TCAPS) controller 901. In this embodiment, the TCAP controller 901 may serve to process, store, search, serve, identify, instruct, generate, match, and/or update data in conjunction with a TCAP (see FIG. 10 for more details on the TCAP). TCAPS act as backend servers to TCAPs, wherein TCAPS provide storage and/or processing resources to great and/or complex for the TCAP to service itself. In effect, the TCAPS transparently extend the capacity of a TCAP.

In one embodiment, the TCAPS controller 901 may be connected to and/or communicate with entities such as, but not limited to: one or more users from user input devices 911; peripheral devices 912; and/or a communications network 913. The TCAPS controller may even be connected to and/or communicate with a cryptographic processor device 928.

A TCAPS controller 901 may be based on common computer systems that may comprise, but are not limited to, components such as: a computer systemization 902 connected to memory 929.

#### Computer Systemization

A computer systemization 902 may comprise a clock 930, central processing unit (CPU) 903, a read only memory (ROM) 906, a random access memory (RAM) 905, and/or an interface bus 907, and most frequently, although not necessarily, are all interconnected and/or communicating through a system bus 904. Optionally, a cryptographic processor 926 may be connected to the system bus. The system clock typically has a crystal oscillator and provides a base signal. The clock is typically coupled to the system bus and various clock multipliers that will increase or decrease the base operating frequency for other components interconnected in the computer systemization. The clock and various components in a computer systemization drive signals embodying information throughout the system. Such transmission and reception of signals embodying information throughout a computer systemization may be commonly referred to as communications. These communicative signals may further be transmitted, received, and the cause of return and/or reply signal communications beyond the instant computer systemization to: communications networks, input devices, other computer systemizations, peripheral devices, and/or the like. Of course, any of the above components may be connected directly to one another, connected to the CPU, and/or organized in numerous variations employed as exemplified by various computer systems.

The CPU comprises at least one high-speed data processor adequate to execute program modules for executing user and/or system-generated requests. The CPU may be a micro-processor such as AMD's Athlon, Duron and/or Opteron; IBM and/or Motorola's PowerPC; Intel's Celeron, Itanium, Pentium and/or Xeon; and/or the like processor(s). The CPU interacts with memory through signal passing through conductive conduits to execute stored program code according to conventional data processing techniques. Such signal passing facilitates communication within the TCAPS controller and beyond through various interfaces. Should processing requirements dictate a greater amount speed, main-frame and super computer architectures may similarly be employed.

#### Interface Adapters

Interface bus(es) 907 may accept, connect, and/or communicate to a number of interface adapters, conventionally although not necessarily in the form of adapter cards, such as but not limited to: input output interfaces (I/O) 908, storage interfaces 909, network interfaces 910, and/or the like. Optionally, cryptographic processor interfaces 927 similarly may be connected to the interface bus. The interface bus provides for the communications of interface adapters with one another as well as with other components of the computer systemization. Interface adapters are adapted for a compatible interface bus. Interface adapters conventionally connect to the interface bus via a slot architecture. Conventional slot architectures may be employed, such as, but not limited to: Accelerated Graphics Port (AGP), Card Bus, (Extended) Industry Standard Architecture ((E)ISA), Micro Channel Architecture (MCA), NuBus, Peripheral Component Interconnect (Extended) (PCI(X)), Personal Computer Memory Card International Association (PCMCIA), and/or the like.

Storage interfaces 909 may accept, communicate, and/or connect to a number of storage devices such as, but not

limited to: storage devices **914**, removable disc devices, and/or the like. Storage interfaces may employ connection protocols such as, but not limited to: (Ultra) (Serial) Advanced Technology Attachment (Packet Interface) ((Ultra) (Serial) ATA(PI)), (Enhanced) Integrated Drive Electronics ((E)IDE), Institute of Electrical and Electronics Engineers (IEEE) 1394, fiber channel, Small Computer Systems Interface (SCSI), Universal Serial Bus (USB), and/or the like.

Network interfaces **910** may accept, communicate, and/or connect to a communications network **913**. Network interfaces may employ connection protocols such as, but not limited to: direct connect, Ethernet (thick, thin, twisted pair 10/100/1000 Base T, and/or the like), Token Ring, wireless connection such as IEEE 802.11a-x, and/or the like. A communications network may be any one and/or the combination of the following: a direct interconnection; the Internet; a Local Area Network (LAN); a Metropolitan Area Network (MAN); an Operating Missions as Nodes on the Network (OMNI); a secured custom connection; a Wide Area Network (WAN); a wireless network (e.g., employing protocols such as, but not limited to a Wireless Application Protocol (WAP), I-mode, and/or the like); and/or the like. A network interface may be regarded as a specialized form of an input output interface. Further, multiple network interfaces **910** may be used to engage with various communications network types **913**. For example, multiple network interfaces may be employed to allow for the communication over broadcast, multicast, and/or unicast networks. Input Output interfaces (I/O) **908** may accept, communicate, and/or connect to user input devices **911**, peripheral devices **912**, cryptographic processor devices **928**, and/or the like. I/O may employ connection protocols such as, but not limited to: Apple Desktop Bus (ADB); Apple Desktop Connector (ADC); audio: analog, digital, monaural, RCA, stereo, and/or the like; IEEE 1394a-b; infrared; joystick; keyboard; midi; optical; PC AT; PS/2; parallel; radio; serial; USB; video interface: BNC, composite, digital, Digital Visual Interface (DVI), RCA, S-Video, VGA, and/or the like; wireless; and/or the like. A common output device is a video display, which typically comprises a Cathode Ray Tube (CRT) or Liquid Crystal Display (LCD) based monitor with an interface (e.g., DVI circuitry and cable) that accepts signals from a video interface. The video interface composites information generated by a computer systemization and generates video signals based on the composited information in a video memory frame. Typically, the video interface provides the composited video information through a video connection interface that accepts a video display interface (e.g., a DVI connector accepting a DVI display cable).

User input devices **911** may be card readers, dongles, finger print readers, gloves, graphics tablets, joysticks, keyboards, mouse (mice), trackballs, trackpads, retina readers, and/or the like.

Peripheral devices **912** may be connected and/or communicate to I/O and/or other facilities of the like such as network interfaces, storage interfaces, and/or the like. Peripheral devices may be audio devices, cameras, dongles (e.g., for copy protection, ensuring secure transactions with a digital signature, and/or the like), external processors (for added functionality), goggles, microphones, monitors, network interfaces, printers, scanners, storage devices, video devices, visors, and/or the like.

It should be noted that although user input devices and peripheral devices may be employed, the TCAPS controller may be embodied as an embedded, dedicated, and/or head-

less device, wherein access would be provided over a network interface connection.

Cryptographic units such as, but not limited to, micro-controllers, processors **926**, interfaces **927**, and/or devices **928** may be attached, and/or communicate with the TCAPS controller. A MC68HC16 microcontroller, commonly manufactured by Motorola Inc., may be used for and/or within cryptographic units. Equivalent microcontrollers and/or processors may also be used. The MC68HC16 microcontroller utilizes a 16-bit multiply-and-accumulate instruction in the 16 MHz configuration and requires less than one second to perform a 512-bit RSA private key operation. Cryptographic units support the authentication of communications from interacting agents, as well as allowing for anonymous transactions. Cryptographic units may also be configured as part of CPU. Other commercially available specialized cryptographic processors include VLSI Technology's 33 MHz 6868 or Semaphore Communications' 40 MHz Roadrunner 184.

#### Memory

Generally, any mechanization and/or embodiment allowing a processor to affect the storage and/or retrieval of information is regarded as memory **929**. However, memory is a fungible technology and resource, thus, any number of memory embodiments may be employed in lieu of or in concert with one another. It is to be understood that a TCAPS controller and/or a computer systemization may employ various forms of memory **929**. For example, a computer systemization may be configured wherein the functionality of on-chip CPU memory (e.g., registers), RAM, ROM, and any other storage devices are provided by a paper punch tape or paper punch card mechanism; of course such an embodiment would result in an extremely slow rate of operation. In a typical configuration, memory **929** will include ROM **906**, RAM **905**, and a storage device **914**. A storage device **914** may be any conventional computer system storage. Storage devices may include a drum; a (fixed and/or removable) magnetic disk drive; a magneto-optical drive; an optical drive (i.e., CD ROM/RAM/Recordable (R), ReWritable (RW), DVD R/RW, etc.); and/or other devices of the like. Thus, a computer systemization generally requires and makes use of memory.

#### Module Collection

The memory **929** may contain a collection of program and/or database modules and/or data such as, but not limited to: operating system module(s) **915** (operating system); information server module(s) **916** (information server); user interface module(s) **917** (user interface); Web browser module(s) **918** (Web browser); database(s) **919**; cryptographic server module(s) **920** (cryptographic server); TCAPS module(s) **935**; and/or the like (i.e., collectively a module collection). These modules may be stored and accessed from the storage devices and/or from storage devices accessible through an interface bus. Although non-conventional software modules such as those in the module collection, typically, are stored in a local storage device **914**, they may also be loaded and/or stored in memory such as: peripheral devices, RAM, remote storage facilities through a communications network, ROM, various forms of memory, and/or the like.

#### Operating System

The operating system module **915** is executable program code facilitating the operation of a TCAPS controller. Typically, the operating system facilitates access of I/O, network interfaces, peripheral devices, storage devices, and/or the like. The operating system may be a highly fault tolerant, scalable, and secure system such as Apple Macintosh OS X

(Server), AT&T Plan 9, Be OS, Linux, Unix, and/or the like operating systems. However, more limited and/or less secure operating systems also may be employed such as Apple Macintosh OS, Microsoft DOS, Palm OS, Windows 2000/2003/3.1/95/98/CE/Millennium/NT/XP (Server), and/or the like. An operating system may communicate to and/or with other modules in a module collection, including itself, and/or the like. Most frequently, the operating system communicates with other program modules, user interfaces, and/or the like. For example, the operating system may contain, communicate, generate, obtain, and/or provide program module, system, user, and/or data communications, requests, and/or responses. The operating system, once executed by the CPU, may enable the interaction with communications networks, data, I/O, peripheral devices, program modules, memory, user input devices, and/or the like. The operating system may provide communications protocols that allow the TCAPS controller to communicate with other entities through a communications network **913**. Various communication protocols may be used by the TCAPS controller as a subcarrier transport mechanism for interaction, such as, but not limited to: multicast, TCP/IP, UDP, unicast, and/or the like.

#### Information Server

An information server module **916** is stored program code that is executed by the CPU. The information server may be a conventional Internet information server such as, but not limited to Apache Software Foundation's Apache, Microsoft's Internet Information Server, and/or the like. The information server may allow for the execution of program modules through facilities such as Active Server Page (ASP), ActiveX, (ANSI) (Objective-) C (++), Common Gateway Interface (CGI) scripts, Java, JavaScript, Practical Extraction Report Language (PERL), Python, WebObjects, and/or the like. The information server may support secure communications protocols such as, but not limited to, File Transfer Protocol (FTP); HyperText Transfer Protocol (HTTP); Secure Hypertext Transfer Protocol (HTTPS), Secure Socket Layer (SSL), and/or the like. The information server provides results in the form of Web pages to Web browsers, and allows for the manipulated generation of the Web pages through interaction with other program modules. After a Domain Name System (DNS) resolution portion of an HTTP request is resolved to a particular information server, the information server resolves requests for information at specified locations on a TCAPS controller based on the remainder of the HTTP request. For example, a request such as `http://123.124.125.126/myInformation.html` might have the IP portion of the request "123.124.125.126" resolved by a DNS server to an information server at that IP address; that information server might in turn further parse the http request for the "/myInformation.html" portion of the request and resolve it to a location in memory containing the information "myInformation.html." Additionally, other information serving protocols may be employed across various ports, e.g., FTP communications across port **21**, and/or the like. An information server may communicate to and/or with other modules in a module collection, including itself, and/or facilities of the like. Most frequently, the information server communicates with the TCAPS database **919**, operating systems, other program modules, user interfaces, Web browsers, and/or the like.

Access to TCAPS database may be achieved through a number of database bridge mechanisms such as through scripting languages as enumerated below (e.g., CGI) and through inter-application communication channels as enumerated below (e.g., C ORB A, WebObjects, etc.). Any data

requests through a Web browser are parsed through the bridge mechanism into appropriate grammars as required by the TCAP. In one embodiment, the information server would provide a Web form accessible by a Web browser. Entries made into supplied fields in the Web form are tagged as having been entered into the particular fields, and parsed as such. The entered terms are then passed along with the field tags, which act to instruct the parser to generate queries directed to appropriate tables and/or fields. In one embodiment, the parser may generate queries in standard SQL by instantiating a search string with the proper join/select commands based on the tagged text entries, wherein the resulting command is provided over the bridge mechanism to the TCAPS as a query. Upon generating query results from the query, the results are passed over the bridge mechanism, and may be parsed for formatting and generation of a new results Web page by the bridge mechanism. Such a new results Web page is then provided to the information server, which may supply it to the requesting Web browser.

Also, an information server may contain, communicate, generate, obtain, and/or provide program module, system, user, and/or data communications, requests, and/or responses.

#### User Interface

A user interface module **917** is stored program code that is executed by the CPU. The user interface may be a conventional graphic user interface as provided by, with, and/or atop operating systems and/or operating environments such as Apple Macintosh OS, e.g., Aqua, Microsoft Windows (NT/XP), Unix X Windows (KDE, Gnome, and/or the like), and/or the like. The user interface may allow for the display, execution, interaction, manipulation, and/or operation of program modules and/or system facilities through textual and/or graphical facilities. The user interface provides a facility through which users may affect, interact, and/or operate a computer system. A user interface may communicate to and/or with other modules in a module collection, including itself, and/or facilities of the like. Most frequently, the user interface communicates with operating systems, other program modules, and/or the like. The user interface may contain, communicate, generate, obtain, and/or provide program module, system, user, and/or data communications, requests, and/or responses.

#### Web Browser

A Web browser module **918** is stored program code that is executed by the CPU. The Web browser may be a conventional hypertext viewing application such as Microsoft Internet Explorer or Netscape Navigator. Secure Web browsing may be supplied with 128 bit (or greater) encryption by way of HTTPS, SSL, and/or the like. Some Web browsers allow for the execution of program modules through facilities such as Java, JavaScript, ActiveX, and/or the like. Web browsers and like information access tools may be integrated into PDAs, cellular telephones, and/or other mobile devices. A Web browser may communicate to and/or with other modules in a module collection, including itself, and/or facilities of the like. Most frequently, the Web browser communicates with information servers, operating systems, integrated program modules (e.g., plug-ins), and/or the like; e.g., it may contain, communicate, generate, obtain, and/or provide program module, system, user, and/or data communications, requests, and/or responses. Of course, in place of a Web browser and information server, a combined application may be developed to perform similar functions of both. The combined application would similarly affect the obtaining and the provision of information to users, user

agents, and/or the like from TCAPS enabled nodes. The combined application may be nугatory on systems employing standard Web browsers.

#### TCAPS Database

A TCAPS database module **919** may be embodied in a database and its stored data. The database is stored program code, which is executed by the CPU; the stored program code portion configuring the CPU to process the stored data. The database may be a conventional, fault tolerant, relational, scalable, secure database such as Oracle or Sybase. Relational databases are an extension of a flat file. Relational databases consist of a series of related tables. The tables are interconnected via a key field. Use of the key field allows the combination of the tables by indexing against the key field; i.e., the key fields act as dimensional pivot points for combining information from various tables. Relationships generally identify links maintained between tables by matching primary keys. Primary keys represent fields that uniquely identify the rows of a table in a relational database. More precisely, they uniquely identify rows of a table on the “one” side of a one-to-many relationship.

Alternatively, the TCAPS database may be implemented using various standard data-structures, such as an array, hash, (linked) list, struct, structured text file (e.g., XML), table, and/or the like. Such data-structures may be stored in memory and/or in (structured) files. In another alternative, an object-oriented database may be used, such as Frontier, ObjectStore, Poet, Zope, and/or the like. Object databases can include a number of object collections that are grouped and/or linked together by common attributes; they may be related to other object collections by some common attributes. Object-oriented databases perform similarly to relational databases with the exception that objects are not just pieces of data but may have other types of functionality encapsulated within a given object. If the TCAPS database is implemented as a data-structure, the use of the TCAPS database may be integrated into another module such as the TCAPS module. Also, the database may be implemented as a mix of data structures, objects, and relational structures. Databases may be consolidated and/or distributed in countless variations through standard data processing techniques. Portions of databases, e.g., tables, may be exported and/or imported and thus decentralized and/or integrated. In one embodiment, the database module **919** includes three tables **919a-c**. A user accounts table **919a** includes fields such as, but not limited to: a user name, user address, user authorization information (e.g., user name, password, biometric data, etc.), user credit card, organization, organization account, TCAP unique identifier, account creation data, account expiration date; and/or the like. In one embodiment, user accounts may be activated only for set amounts of time and will then expire once a specified date has been reached. An user data table **919b** includes fields such as, but not limited to: a TCAP unique identifier, backup image, data store, organization account, and/or the like. A user programs table **919c** includes fields such as, but not limited to: system programs, organization programs, programs to be synchronized, and/or the like. In one embodiment, user programs may contain various user interface primitives, which may serve to update TCAPs. Also, various accounts may require custom database tables depending upon the environments and the types of TCAPs a TCAPS may need to serve. It should be noted that any unique fields may be designated as a key field throughout. In an alternative embodiment, these tables have been decentralized into their own databases and their respective database controllers (i.e., individual database controllers for each of the above tables). Employing

standard data processing techniques, one may further distribute the databases over several computer systemizations and/or storage devices. Similarly, configurations of the decentralized database controllers may be varied by consolidating and/or distributing the various database modules **919a-c**. The TCAPS may be configured to keep track of various settings, inputs, and parameters via database controllers.

A TCAPS database may communicate to and/or with other modules in a module collection, including itself, and/or facilities of the like. Most frequently, the TCAPS database communicates with a TCAPS module, other program modules, and/or the like. The database may contain, retain, and provide information regarding other nodes and data.

#### Cryptographic Server

A cryptographic server module **920** is stored program code that is executed by the CPU **903**, cryptographic processor **926**, cryptographic processor interface **927**, cryptographic processor device **928**, and/or the like. Cryptographic processor interfaces will allow for expedition of encryption and/or decryption requests by the cryptographic module; however, the cryptographic module, alternatively, may run on a conventional CPU. The cryptographic module allows for the encryption and/or decryption of provided data. The cryptographic module allows for both symmetric and asymmetric (e.g., Pretty Good Protection (PGP)) encryption and/or decryption. The cryptographic module may employ cryptographic techniques such as, but not limited to: digital certificates (e.g., X.509 authentication framework), digital signatures, dual signatures, enveloping, password access protection, public key management, and/or the like. The cryptographic module will facilitate numerous (encryption and/or decryption) security protocols such as, but not limited to: checksum, Data Encryption Standard (DES), Elliptical Curve Encryption (ECC), International Data Encryption Algorithm (IDEA), Message Digest 5 (MD5, which is a one way hash function), passwords, Rivest Cipher (RC5), Rijndael, RSA (which is an Internet encryption and authentication system that uses an algorithm developed in 1977 by Ron Rivest, Adi Shamir, and Leonard Adleman), Secure Hash Algorithm (SHA), Secure Socket Layer (SSL), Secure Hypertext Transfer Protocol (HTTPS), and/or the like. Employing such encryption security protocols, the TCAPS may encrypt all incoming and/or outgoing communications and may serve as node within a virtual private network (VPN) with a wider communications network. The cryptographic module facilitates the process of “security authorization” whereby access to a resource is inhibited by a security protocol wherein the cryptographic module effects authorized access to the secured resource. In addition, the cryptographic module may provide unique identifiers of content, e.g., employing and MD5 hash to obtain a unique signature for an digital audio file. A cryptographic module may communicate to and/or with other modules in a module collection, including itself, and/or facilities of the like. The cryptographic module supports encryption schemes allowing for the secure transmission of information across a communications network to enable a TCAPS module to engage in secure transactions if so desired. The cryptographic module facilitates the secure accessing of resources on TCAPS and facilitates the access of secured resources on remote systems; i.e., it may act as a client and/or server of secured resources. Most frequently, the cryptographic module communicates with information servers, operating systems, other program modules, and/or the like. The cryptographic module may contain, communicate, generate,



obtain, and/or provide program module, system, user, and/or data communications, requests, and/or responses.

#### TCAPS

A TCAPS module **935** is stored program code that is executed by the CPU. The TCAPS affects accessing, obtaining and the provision of information, services, transactions, and/or the like across various communications networks. The TCAPS enables TCAP users to simply access data and/or services across a communications network in a secure manner. The TCAPS extends the storage and processing capacities and capabilities of TCAPs. The TCAPS coordinates with the TCAPS database to identify interassociated items in the generation of entries regarding any related information. A TCAPS module enabling access of information between nodes may be developed by employing standard development tools such as, but not limited to: (ANSI) (Objective-) C (++), Apache modules, binary executables, Java, Javascript, mapping tools, procedural and object oriented development tools, PERL, Python, shell scripts, SQL commands, web application server extensions, WebObjects, and/or the like. In one embodiment, the TCAPS server employs a cryptographic server to encrypt and decrypt communications. A TCAPS module may communicate to and/or with other modules in a module collection, including itself, and/or facilities of the like. Most frequently, the TCAPS module communicates with a TCAPS database, operating systems, other program modules, and/or the like. The TCAPS may contain, communicate, generate, obtain, and/or provide program module, system, user, and/or data communications, requests, and/or responses.

#### Distributed TCAP

The structure and/or operation of any of the TCAPS node controller components may be combined, consolidated, and/or distributed in any number of ways to facilitate development and/or deployment. Similarly, the module collection may be combined in any number of ways to facilitate deployment and/or development. To accomplish this, one may integrate the components into a common code base or in a facility that can dynamically load the components on demand in an integrated fashion.

The module collection may be consolidated and/or distributed in countless variations through standard data processing and/or development techniques. Multiple instances of any one of the program modules in the program module collection may be instantiated on a single node, and/or across numerous nodes to improve performance through load-balancing and/or data-processing techniques. Furthermore, single instances may also be distributed across multiple controllers and/or storage devices; e.g., databases. All program module instances and controllers working in concert may do so through standard data processing communication techniques.

The configuration of the TCAPS controller will depend on the context of system deployment. Factors such as, but not limited to, the budget, capacity, location, and/or use of the underlying hardware resources may affect deployment requirements and configuration. Regardless of if the configuration results in more consolidated and/or integrated program modules, results in a more distributed series of program modules, and/or results in some combination between a consolidated and distributed configuration, data may be communicated, obtained, and/or provided. Instances of modules consolidated into a common code base from the program module collection may communicate, obtain, and/or provide data. This may be accomplished through intra-application data processing communication techniques such as, but not limited to: data referencing (e.g., pointers),

internal messaging, object instance variable communication, shared memory space, variable passing, and/or the like.

If module collection components are discrete, separate, and/or external to one another, then communicating, obtaining, and/or providing data with and/or to other module components may be accomplished through inter-application data processing communication techniques such as, but not limited to: Application Program Interfaces (API) information passage; (distributed) Component Object Model ((D) COM), (Distributed) Object Linking and Embedding ((D) OLE), and/or the like), Common Object Request Broker Architecture (CORBA), process pipes, shared files, and/or the like. Messages sent between discrete module components for inter-application communication or within memory spaces of a singular module for intra-application communication may be facilitated through the creation and parsing of a grammar. A grammar may be developed by using standard development tools such as lex, yacc, and/or the like, which allow for grammar generation and parsing functionality, which in turn may form the basis of communication messages within and between modules. Again, the configuration will depend upon the context of system deployment.

#### Tunneling Client Access Point Controller

FIG. **10** illustrates one embodiment incorporated into a tunneling client access point (TCAP) controller **1001**. Much of the description of the TCAPS of FIG. **9** applies to the TCAP, and as such, the disclosure focuses more upon the variances exhibited in the TCAP. In this embodiment, the TCAP controller **1001** may serve to process, store, search, identify, instruct, generate, match, and/or update data within itself, at a TCAPS, and/or through an AT.

The first and foremost difference between the TCAP and the TCAPS is that the TCAP is very small as was shown **130** of FIG. **1**. The TCAP may be packaged in plugin sticks, often, smaller than the size of a human thumb. In one embodiment, a TCAP may be hardened for military use. In such an embodiment, the shell **1001** may be composed of metal, and/or other durable composites. Also, components within may be shielded from radiation.

In one embodiment, the TCAP controller **1001** may be connected to and/or communicate with entities such as, but not limited to: one or more users from an access terminal **1011b**. The access terminal itself may be connected to peripherals such as user input devices (e.g., keyboard **1012a**, mouse **1012b**, etc.); and/or a communications network **1013** in manner similar to that described in FIG. **9**.

A TCAP controller **1001** may be based on common computer systems components that may comprise, but are not limited to, components such as: a computer systemization **1002** connected to memory **1029**. Optionally, the TCAP controller **1001** may convey information **1058**, produce output through an output device **1048**, and obtain input from control device **1018**.

#### Control Device

The control device **1018** may be optionally provided to accept user input to control access to the TCAP controller. In one embodiment, the control device may provide a keypad **1028**. Such a keypad would allow the user to enter passwords, personal identification numbers (PIN), and/or the like.

In an alternative embodiment, the control device may include a security device **1038**. In one embodiment, the security device is a fingerprint integrated circuit (fingerprint IC) that provides biometric fingerprint information such as, but not limited to AuthenTec Inc.'s FingerLoc™ AF-S2™. Either a fingerprint IC and/or other biometric device will



provide biometric validation information that may be used to confirm the identity of a TCAP user and ensure that transactions are legitimate. In alternative embodiments, a simple button, heat sensor, and/or other type of user input functionality may be provided solely and/or in concert with other types of control device types. The control device may be connected to the I/O interface, the system bus, or the CPU directly.

The output device **1048** is used to provide status information to the user. In one alternative embodiment, the output device is an LCD panel capable of providing alpha numeric and/or graphic displays. In an alternative embodiment, the output device may be a speaker providing audible signals indicating errors and/or actually streaming information that is audible to the user, such as voice alerts. The output device may be connected to the I/O interface, the system bus, or the CPU directly.

The conveyance information **1058** component of the TCAP controller may include any number of indicia representing the TCAP's source on the cover **1001**. Source conveying indicia may include, but is not limited to: an owner name **1059** for readily verifying a TCAP user; a photo of the owner **1060** for readily verifying a TCAP controller owner; mark designating the source that issued the TCAP **1061**, **1001** such as a corporate logo, and/or the like; fanciful design information **1062** for enhancing the visual appearance of the TCAP; and/or the like. It should be noted that the conveyance information **11421** may be positioned anywhere on the cover **1189**.

#### Computer Systemization

A computer systemization **1002** may comprise a clock **1030**, central processing unit (CPU) **1003**, a read only memory (ROM) **1006**, a random access memory (RAM) **1005**, and/or an interface bus **1007**, and most frequently, although not necessarily, are all interconnected and/or communicating through a system bus **1004**. Optionally the computer systemization may be connected to an internal power source **1086**. Optionally, a cryptographic processor **1026** may be connected to the system bus. The system clock typically has a crystal oscillator and provides a base signal. Of course, any of the above components may be connected directly to one another, connected to the CPU, and/or organized in numerous variations employed as exemplified by various computer systems.

The CPU comprises at least one low-power data processor adequate to execute program modules for executing user and/or system-generated requests. The CPU may be a micro-processor such as ARM's Application Cores, Embedded Cores, Secure Cores; Motorola's DragonBall; and/or the like processor(s).

#### Power Source

The power source **1086** may be of any standard form for powering small electronic circuit board devices such as but not limited to: alkaline, lithium hydride, lithium ion, nickel cadmium, solar cells, and/or the like. In the case of solar cells, the case provides an aperture through which the solar cell protrudes are to receive photonic energy. The power cell **1086** is connected to at least one of the interconnected subsequent components of the TCAP thereby providing an electric current to all subsequent components. In one example, the power cell **1086** is connected to the system bus component **1004**. In an alternative embodiment, an outside power source **1086** is provided through a connection across the I/O **1008** interface. For example, a USB and/or IEEE 1394 connection carries both data and power across the connection and is therefore a suitable source of power.

#### Interface Adapters

Interface bus(es) **1007** may accept, connect, and/or communicate to a number of interface adapters, conventionally although not necessarily in the form of adapter cards, such as but not limited to: input output interfaces (I/O) **1008**, storage interfaces **1009**, network interfaces **1010**, and/or the like. Optionally, cryptographic processor interfaces **1027** similarly may be connected to the interface bus. The interface bus provides for the communications of interface adapters with one another as well as with other components of the computer systemization. Interface adapters are adapted for a compatible interface bus. In one embodiment, the interface bus provides I/O **1008** via a USB port. In an alternative embodiment, the interface bus provides I/O via an IEEE 1394 port. In an alternative embodiment, wireless transmitters are employed by interfacing wireless protocol integrated circuits (ICs) for I/O via the interface bus **1007**.

Storage interfaces **1009** may accept, communicate, and/or connect to a number of storage devices such as, but not limited to: storage devices **1014**, removable disc devices, and/or the like. Storage interfaces may employ connection protocols such as, but not limited to a flash memory connector, and/or the like. In one embodiment, an optional network interface may provide **1010**.

Input Output interfaces (I/O) **1008** may accept, communicate, and/or connect to an access terminal **1011b**. I/O may employ connection protocols such as, but not limited to: Apple Desktop Bus (ADB); Apple Desktop Connector (ADC); IEEE 1394a-b; infrared; PC AT; PS/2; parallel; radio; serial; USB, and/or the like; wireless component; and/or the like.

#### Wireless Component

In one embodiment a wireless component may comprise a Bluetooth chip disposed in communication with a transceiver **1043** and a memory **1029** through the interface bus **1007** and/or system bus **1004**. The transceiver may be either external to the Bluetooth chip, or integrated within the Bluetooth chip itself. The transceiver is a radio frequency (RF) transceiver operating in the range as required for Bluetooth transmissions. Further, the Bluetooth chip **1044** may integrate an input/output interface (I/O) **1066**. The Bluetooth chip and its I/O may be configured to interface with the TCAP controller through the interface bus, the system bus, and/or directly with the CPU. The I/O may be used to interface with other components such as an access terminal **1011b** equipped with similar wireless capabilities. In one embodiment, the TCAP may optionally interconnect wirelessly with a peripheral device **912** and/or a control device **911** of FIG. 9. In one example embodiment, the I/O may be based on serial line technologies, a universal serial bus (USB) protocol, and/or the like. In an alternative embodiment, the I/O may be based on the ISO 7816-3 standard. It should be noted that the Bluetooth chip in an alternative embodiment may be replaced with an IEEE 802.11b wireless chip. In another embodiment, both a Bluetooth chip and an IEEE 802.11b wireless chip may be used to communicate and or bridge communications with respectively enabled devices. It should further be noted that the transceiver **1043** may be used to wirelessly communicate with other devices powered by Bluetooth chips and/or IEEE 802.11b chips and/or the like. The ROM can provide a basic instruction set enabling the Bluetooth chip to use its I/O to communicate with other components. A number of Bluetooth chips are commercially available, and may be used as a Bluetooth chip in the wireless component, such as, but not limited to, CSR's BlueCore line of chips. If IEEE 802.11b functionality is required, a number of chips are commercially available for the wireless component as well.

Cryptographic units such as, but not limited to, micro-controllers, processors **1026**, and/or interfaces **1027** may be attached, and/or communicate with the TCAP controller. A Secure Core component commonly manufactured by ARM, Inc. and may be used for and/or within cryptographic units.

#### Memory

Generally, any mechanization and/or embodiment allowing a processor to affect the storage and/or retrieval of information is regarded as memory **1029**. However, memory is a fungible technology and resource, thus, any number of memory embodiments may be employed in lieu of or in concert with one another. It is to be understood that a TCAP controller and/or a computer systemization may employ various forms of memory **1029**. In a typical configuration, memory **1029** will include ROM **1006**, RAM **1005**, and a storage device **1014**. A storage device **1014** may be any conventional computer system storage. Storage devices may include flash memory, micro hard drives, and/or the like.

#### Module Collection

The memory **1029** may contain a collection of program and/or database modules and/or data such as, but not limited to: operating system module(s) **1015** (operating system); information server module(s) **1016** (information server); user interface module(s) **1017** (user interface); Web browser module(s) **1018** (Web browser); database(s) **1019**; cryptographic server module(s) **1020** (cryptographic server); access terminal module **1021**; TCAP module(s) **1035**; and/or the like (i.e., collectively a module collection). These modules may be stored and accessed from the storage devices and/or from storage devices accessible through an interface bus. Although non-conventional software modules such as those in the module collection, typically, are stored in a local storage device **1014**, they may also be loaded and/or stored in memory such as: peripheral devices, RAM, remote storage facilities through an access terminal, communications network, ROM, various forms of memory, and/or the like. In one embodiment, all data stored in memory is encrypted by employing the cryptographic server **1020** as described in further detail below. In one embodiment, the ROM contains a unique TCAP identifier. For example, the TCAP may contain a unique digital certificate, number, and/or the like, which may be used for purposes of verification and encryption across a network and/or in conjunction with a TCAPs.

#### Operating System

The operating system module **1015** is executable program code facilitating the operation of a TCAP controller. Typically, the operating system facilitates access of I/O, network interfaces, peripheral devices, storage devices, and/or the like. The operating system may be a highly fault tolerant, scalable, and secure system such as Linux, and/or the like operating systems. However, more limited and/or less secure operating systems also may be employed such as Java runtime OS, and/or the like. An operating system may communicate to and/or with other modules in a module collection, including itself, and/or the like. Most frequently, the operating system communicates with other program modules, user interfaces, and/or the like. For example, the operating system may contain, communicate, generate, obtain, and/or provide program module, system, user, and/or data communications, requests, and/or responses. The operating system, once executed by the CPU, may enable the interaction with an access terminal, communications networks, data, I/O, peripheral devices, program modules, memory, user input devices, and/or the like. The operating system may provide communications protocols that allow the TCAP controller to communicate with other entities through an access terminal. Various communication proto-

cols may be used by the TCAP controller as a subcarrier transport mechanism for interaction, such as, but not limited to: TCP/IP, USB, and/or the like.

#### Information Server

An information server module **1016** is stored program code that is executed by the CPU. The information server may be a conventional Internet information server such as, but not limited to Apache Software Foundation's Apache, and/or the like. The information server may allow for the execution of program modules through facilities such as Active Server Page (ASP), ActiveX, (ANSI) (Objective-) C (++), Common Gateway Interface (CGI) scripts, Java, JavaScript, Practical Extraction Report Language (PERL), Python, WebObjects, and/or the like. The information server may support secure communications protocols such as, but not limited to, File Transfer Protocol (FTP); HyperText Transfer Protocol (HTTP); Secure Hypertext Transfer Protocol (HTTPS), Secure Socket Layer (SSL), and/or the like. The information server provides results in the form of Web pages to Web browsers, and allows for the manipulated generation of the Web pages through interaction with other program modules. An information server may communicate to and/or with other modules in a module collection, including itself, and/or facilities of the like. Most frequently, the information server communicates with the TCAP database **1019**, operating systems, other program modules, user interfaces, Web browsers, and/or the like.

Access to TCAP database may be achieved through a number of database bridge mechanisms such as through scripting languages as enumerated below (e.g., CGI) and through inter-application communication channels as enumerated below (e.g., CORBA, WebObjects, etc.). Any data requests through a Web browser are parsed through the bridge mechanism into appropriate grammars as required by the TCAP. In one embodiment, the information server would provide a Web form accessible by a Web browser. Entries made into supplied fields in the Web form are tagged as having been entered into the particular fields, and parsed as such. The entered terms are then passed along with the field tags, which act to instruct the parser to generate queries directed to appropriate tables and/or fields. In one embodiment, the parser may generate queries in standard SQL by instantiating a search string with the proper join/select commands based on the tagged text entries, wherein the resulting command is provided over the bridge mechanism to the TCAP as a query. Upon generating query results from the query, the results are passed over the bridge mechanism, and may be parsed for formatting and generation of a new results Web page by the bridge mechanism. Such a new results Web page is then provided to the information server, which may supply it to the requesting Web browser.

Also, an information server may contain, communicate, generate, obtain, and/or provide program module, system, user, and/or data communications, requests, and/or responses.

#### User Interface

A user interface module **1017** is stored program code that is executed by the CPU. The user interface may be a conventional graphic user interface as provided by, with, and/or atop operating systems and/or operating environments such as Apple Macintosh OS, e.g., Aqua, Microsoft Windows (NT/XP), Unix X Windows (KDE, Gnome, and/or the like), and/or the like. The TCAP may employ code natively compiled for various operating systems, or code compiled using Java. The user interface may allow for the display, execution, interaction, manipulation, and/or operation of program modules and/or system facilities through

textual and/or graphical facilities. The user interface provides a facility through which users may affect, interact, and/or operate a computer system. A user interface may communicate to and/or with other modules in a module collection, including itself, and/or facilities of the like. Most frequently, the user interface communicates with operating systems, other program modules, and/or the like. The user interface may contain, communicate, generate, obtain, and/or provide program module, system, user, and/or data communications, requests, and/or responses.

#### Web Browser

A Web browser module **1018** is stored program code that is executed by the CPU. A small-scale embedded Web browser may allow the TCAP to access and communicate with an attached access terminal, and beyond across a communications network. An example browser is Blazer, Opera, FireFox, etc. A browsing module may contain, communicate, generate, obtain, and/or provide program module, system, user, and/or data communications, requests, and/or responses. Of course, in place of a Web browser and information server, a combined application may be developed to perform similar functions of both. The combined application would similarly affect the obtaining and the provision of information to users, user agents, and/or the like from TCAP enabled nodes. The combined application may be nugatory on systems employing standard Web browsers.

#### TCAP Database

A TCAP database module **1019** may be embodied in a database and its stored data. The database is stored program code, which is executed by the CPU; the stored program code portion configuring the CPU to process the stored data. In one embodiment, the TCAP database may be implemented using various standard data-structures, such as an array, hash, (linked) list, struct, structured text file (e.g., XML), table, and/or the like. Such data-structures may be stored in memory and/or in (structured) files. If the TCAP database is implemented as a data-structure, the use of the TCAP database may be integrated into another module such as the TCAP module. Databases may be consolidated and/or distributed in countless variations through standard data processing techniques. Portions of databases, e.g., tables, may be exported and/or imported and thus decentralized and/or integrated. In one embodiment, the database module **1019** includes three tables **1019a-c**. A user accounts table **1019a** includes fields such as, but not limited to: a user name, user address, user authorization information (e.g., user name, password, biometric data, etc.), user credit card, organization, organization account, TCAP unique identifier, account creation data, account expiration date; and/or the like. In one embodiment, user accounts may be activated only for set amounts of time and will then expire once a specified date has been reached. An user data table **1019b** includes fields such as, but not limited to: a TCAP unique identifier, backup image, data store, organization account, and/or the like. In one embodiment, the entire TCAP memory **1029** is processed into an image and spooled to a TCAPs for backup storage. A user programs table **1019c** includes fields such as, but not limited to: system programs, organization programs, programs to be synchronized, and/or the like. It should be noted that any unique fields may be designated as a key field throughout. In an alternative embodiment, these tables have been decentralized into their own databases and their respective database controllers (i.e., individual database controllers for each of the above tables). Employing standard data processing techniques, one may further distribute the databases over several computer systemizations and/or storage devices. Similarly, configurations

of the decentralized database controllers may be varied by consolidating and/or distributing the various database modules **1019a-c**. The TCAP may be configured to keep track of various settings, inputs, and parameters via database controllers.

A TCAP database may communicate to and/or with other modules in a module collection, including itself, and/or facilities of the like. Most frequently, the TCAP database communicates with a TCAP module, other program modules, and/or the like. The database may contain, retain, and provide information regarding other nodes and data.

#### Cryptographic Server

A cryptographic server module **1020** is stored program code that is executed by the CPU **1003**, cryptographic processor **1026**, cryptographic processor interface **1027**, and/or the like. Cryptographic processor interfaces will allow for expedition of encryption and/or decryption requests by the cryptographic module; however, the cryptographic module, alternatively, may run on a conventional CPU. The cryptographic module allows for the encryption and/or decryption of provided data. The cryptographic module allows for both symmetric and asymmetric (e.g., Pretty Good Protection (PGP)) encryption and/or decryption. The cryptographic module may employ cryptographic techniques such as, but not limited to: digital certificates (e.g., X.509 authentication framework), digital signatures, dual signatures, enveloping, password access protection, public key management, and/or the like. The cryptographic module will facilitate numerous (encryption and/or decryption) security protocols such as, but not limited to: checksum, Data Encryption Standard (DES), Elliptical Curve Encryption (ECC), International Data Encryption Algorithm (IDEA), Message Digest 5 (MD5, which is a one way hash function), passwords, Rivest Cipher (RC5), Rijndael, RSA (which is an Internet encryption and authentication system that uses an algorithm developed in 1977 by Ron Rivest, Adi Shamir, and Leonard Adleman), Secure Hash Algorithm (SHA), Secure Socket Layer (SSL), Secure Hypertext Transfer Protocol (HTTPS), and/or the like. The cryptographic module facilitates the process of "security authorization" whereby access to a resource is inhibited by a security protocol wherein the cryptographic module effects authorized access to the secured resource. In addition, the cryptographic module may provide unique identifiers of content, e.g., employing and MD5 hash to obtain a unique signature for an digital audio file. A cryptographic module may communicate to and/or with other modules in a module collection, including itself, and/or facilities of the like. The cryptographic module supports encryption schemes allowing for the secure transmission of information across a communications network to enable a TCAP module to engage in secure transactions if so desired. The cryptographic module facilitates the secure accessing of resources on TCAP and facilitates the access of secured resources on remote systems; i.e., it may act as a client and/or server of secured resources. Most frequently, the cryptographic module communicates with information servers, operating systems, other program modules, and/or the like. The cryptographic module may contain, communicate, generate, obtain, and/or provide program module, system, user, and/or data communications, requests, and/or responses. In one embodiment, the TCAP employs the cryptographic server to encrypt all data stored in memory **1029** based on the TCAP's unique ID and user's authorization information. In another embodiment, the TCAP employs the cryptographic server to encrypt all data sent through the access terminal based in the TCAP's unique ID and user's authorization information.

## TCAP

A TCAP module **1035** is stored program code that is executed by the CPU. The TCAP affects accessing, obtaining and the provision of information, services, storage, transactions, and/or the like within its memory and/or across various communications networks. The TCAP enables users to simply access data and/or services from any location where an access terminal is available. It provides secure, extremely low powerful and ultra portable access to data and services that were heretofore impossible. The TCAP coordinates with the TCAP database to identify interassociated items in the generation of entries regarding any related information. A TCAP module enabling access of information between nodes may be developed by employing standard development tools such as, but not limited to: (ANSI) (Objective-) C (++), Apache modules, binary executables, Java, Javascript, mapping tools, procedural and object oriented development tools, PERL, Python, shell scripts, SQL commands, web application server extensions, WebObjects, and/or the like. In one embodiment, the TCAP server employs a cryptographic server to encrypt and decrypt communications. A TCAP module may communicate to and/or with other modules in a module collection, including itself, and/or facilities of the like. Most frequently, the TCAP module communicates with a TCAP database, a TCAP access terminal module **1021** running on an access terminal **1011b**, operating systems, other program modules, and/or the like. The TCAP may contain, communicate, generate, obtain, and/or provide program module, system, user, and/or data communications, requests, and/or responses.

## Access Terminal Module

An access terminal module **1021** is stored program code that is executed by a CPU. In one embodiment, the TCAP allows the access terminal **1011b** to access its memory **1029** across its I/O **1008** and the access terminal executes the module. The access terminal module affects accessing, obtaining and the provision of information, services, storage, transactions, and/or the like within the TCAP's and access terminal's memory and/or across various communications networks. The access terminal module **1021** acts as a bridge through which the TCAP can communicate with communications network, and through which users may interact with the TCAP by using the I/O of the access terminal. The access terminal module coordinates with the TCAP module **1035** to send data and communications back and forth. A access terminal module enabling access of information between the TCAP and access terminal may be developed by employing standard development tools such as, but not limited to: (ANSI) (Objective-) C (++), Apache modules, binary executables, Java, Javascript, mapping tools, procedural and object oriented development tools, PERL, Python, shell scripts, SQL commands, web application server extensions, WebObjects, and/or the like. In one embodiment, the access terminal module is compiled for target access terminal platform, e.g., for Windows. In an alternative embodiment, a processor independent approach is taken, e.g., Java is used, so that the access terminal module will run on multiple platforms. In another embodiment, the TCAP server employs a cryptographic server to encrypt and decrypt communications as between it, the TCAP, and outside servers. A access terminal module may communicate to and/or with other modules in a module collection, including itself, and/or facilities of the like. Most frequently, the access terminal module communicates with a TCAP, other program modules, and/or the like. The access terminal module may contain, communicate, generate, obtain, and/or

provide program module, system, user, and/or data communications, requests, and/or responses.

## Distributed TCAP

The structure and/or operation of any of the TCAP node controller components may be combined, consolidated, and/or distributed in any number of ways to facilitate development and/or deployment. Similarly, the module collection may be combined in any number of ways to facilitate deployment and/or development. To accomplish this, one may integrate the components into a common code base or in a facility that can dynamically load the components on demand in an integrated fashion.

The module collection may be consolidated and/or distributed in countless variations through standard data processing and/or development techniques. Multiple instances of any one of the program modules in the program module collection may be instantiated on a single node, and/or across numerous nodes to improve performance through load-balancing and/or data-processing techniques. Furthermore, single instances may also be distributed across multiple controllers and/or storage devices; e.g., databases. All program module instances and controllers working in concert may do so through standard data processing communication techniques.

The configuration of the TCAP controller will depend on the context of system deployment. Factors such as, but not limited to, the budget, capacity, location, and/or use of the underlying hardware resources may affect deployment requirements and configuration. Regardless of if the configuration results in more consolidated and/or integrated program modules, results in a more distributed series of program modules, and/or results in some combination between a consolidated and distributed configuration, data may be communicated, obtained, and/or provided. Instances of modules consolidated into a common code base from the program module collection may communicate, obtain, and/or provide data. This may be accomplished through intra-application data processing communication techniques such as, but not limited to: data referencing (e.g., pointers), internal messaging, object instance variable communication, shared memory space, variable passing, and/or the like.

If module collection components are discrete, separate, and/or external to one another, then communicating, obtaining, and/or providing data with and/or to other module components may be accomplished through inter-application data processing communication techniques such as, but not limited to: Application Program Interfaces (API) information passage; (distributed) Component Object Model ((D) COM), (Distributed) Object Linking and Embedding ((D) OLE), and/or the like), Common Object Request Broker Architecture (CORBA), process pipes, shared files, and/or the like. Messages sent between discrete module components for inter-application communication or within memory spaces of a singular module for intra-application communication may be facilitated through the creation and parsing of a grammar. A grammar may be developed by using standard development tools such as lex, yacc, and/or the like, which allow for grammar generation and parsing functionality, which in turn may form the basis of communication messages within and between modules. Again, the configuration will depend upon the context of system deployment.

The entirety of this disclosure (including the Cover Page, Title, Headings, Field, Background, Summary, Brief Description of the Drawings, Detailed Description, Claims, Abstract, Figures, and otherwise) shows by way of illustration various embodiments in which the claimed inventions

may be practiced. The advantages and features of the disclosure are of a representative sample of embodiments only, and are not exhaustive and/or exclusive. They are presented only to assist in understanding and teach the claimed principles. It should be understood that they are not representative of all claimed inventions. As such, certain aspects of the disclosure have not been discussed herein. That alternate embodiments may not have been presented for a specific portion of the invention or that further undescribed alternate embodiments may be available for a portion is not to be considered a disclaimer of those alternate embodiments. It will be appreciated that many of those undescribed embodiments incorporate the same principles of the invention and others are equivalent. Thus, it is to be understood that other embodiments may be utilized and functional, logical, organizational, structural and/or topological modifications may be made without departing from the scope and/or spirit of the disclosure. As such, all examples and/or embodiments are deemed to be non-limiting throughout this disclosure. Also, no inference should be drawn regarding those embodiments discussed herein relative to those not discussed herein other than for purposes of space and reducing repetition. For instance, it is to be understood that the logical and/or topological structure of any combination of any program modules (a module collection), other components and/or any present feature sets as described in the figures and/or throughout are not limited to a fixed operating order and/or arrangement, but rather, any disclosed order is exemplary and all equivalents, regardless of order, are contemplated by the disclosure. Furthermore, it is to be understood that such features are not limited to serial execution, but rather, any number of threads, processes, services, servers, and/or the like that may execute asynchronously, simultaneously, synchronously, and/or the like are contemplated by the disclosure. As such, some of these features may be mutually contradictory, in that they cannot be simultaneously present in a single embodiment. Similarly, some features are applicable to one aspect of the invention, and inapplicable to others. In addition, the disclosure includes other inventions not presently claimed. Applicant reserves all rights in those presently unclaimed inventions including the right to claim such inventions, file additional applications, continuations, continuations in part, divisions, and/or the like thereof. As such, it should be understood that advantages, embodiments, examples, functional, features, logical, organizational, structural, topological, and/or other aspects of the disclosure are not to be considered limitations on the disclosure as defined by the claims or limitations on equivalents to the claims.

What is claimed is:

1. A portable device configured to communicate with a communications network, the communication network comprising (i) a communications network node, and (ii) a terminal, the terminal comprising a processor, an output component configured to present an interactive user interface comprising at least one user interface element configured to be manipulated by a user to cause the portable device to execute program code, and a memory configured to store executable program code, including first program code which, when executed by the terminal processor, is configured to affect the presentation of the interactive user interface by the terminal output component, receive a command resulting from user manipulation of a user interface element of the interactive user interface, and cause a communication to be transmitted from the terminal to the portable device in response to the command resulting from user manipulation of a user interface element of the interactive user interface,

and second program code which, when executed by the terminal processor, is configured to facilitate communications between the terminal and the portable device, the portable device comprising:

- (a) at least one communication interface configured to enable transmission of communications between the portable device and the communications network;
- (b) a processor; and
- (c) a memory having executable program code stored thereon, including:
  - (1) third program code which, when executed by the portable device processor, is configured to enable communications between the portable device and the communications network node;
  - (2) fourth program code which, when executed by the portable device processor in response to a communication received by the portable device from the terminal resulting from user manipulation of a user interface element of the interactive user interface presented by the terminal output component, is configured to cause a communication to be transmitted to the communications network node; and
  - (3) fifth program code which, when executed, is configured to affect the presentation of the interactive user interface by the terminal output component;

wherein the portable device is configured to communicate with the terminal, and

wherein the portable device is configured to securely communicate with the communications network node.

2. The portable device according to claim 1, wherein the fourth program code, when executed by the portable device processor, is configured to cause a secure communication to be transmitted to the communications network node.

3. The portable device according to claim 2, wherein the terminal comprises a network interface configured to enable the transmission of communications between the terminal and the communications network node, and wherein the portable device is configured to employ a tunneling protocol to securely communicate through the terminal network interface with the communications network node.

4. The portable device according to claim 3, wherein the fourth program code, when executed by the portable device processor, is configured to cause encrypted data to be transmitted through the terminal network interface to the communications network node.

5. The portable device according to claim 1, wherein the portable device is configured to employ a secure communication protocol to securely communicate with the communications network node.

6. The portable device according to claim 1, wherein the portable device is configured to employ an encryption format to securely communicate with the communications network node.

7. The portable device according to claim 1, wherein the portable device is configured to employ a cryptographic technique to securely communicate with the communications network node.

8. The portable device according to claim 1, wherein the portable device is configured to facilitate key exchange with the communications network node to enable secure communications between the portable device and the communications network node.

9. The portable device according to claim 3, wherein the fourth program code, when executed by the portable device processor, is configured to cause encrypted data to be transmitted through the terminal network interface to the communications network node.

10. The portable device according to claim 1, wherein the portable device processor comprises a cryptographic processor configured to facilitate transmission of a secure communication to the communications network node.

11. The portable device according to claim 1, wherein the at least one communication interface comprises a network interface configured to enable transmission of communications between the portable device and the communications network node, and wherein the fourth program code, when executed by the portable device processor, is configured to cause the communication to the communications network interface to be transmitted through the portable device network interface.

12. The portable device according to claim 1, wherein the portable device processor is configured to execute the fifth program code.

13. The portable device according to claim 12, wherein the portable device processor is configured to be executed by the portable device processor execute the fifth program code in response to the execution of the fourth program code.

14. The portable device according to claim 12, wherein the portable device processor is configured to execute the fifth program code in response to a communication received from the terminal resulting from user manipulation of a user interface element of the interactive user interface.

15. The portable device according to claim 12, wherein the fifth program code, when executed by the portable device processor, is configured to cause a communication to be transmitted to the terminal to affect the presentation of the interactive user interface by the terminal output component.

16. The portable device according to claim 12, wherein the fifth program code, when executed by the portable device processor, is configured to cause a communication to be transmitted to the terminal to cause the terminal processor to execute sixth program code to affect the presentation of the interactive user interface by the terminal output component.

17. The portable device according to claim 1, wherein the terminal processor is configured to execute the fifth program code.

18. The portable device according to claim 1, wherein the at least one communication interface comprises a wireless network interface configured to enable transmission of communications between the portable device and the terminal and between the portable device and the communications network node.

19. The portable device according to claim 1, wherein the interactive user interface comprises a graphical interactive user interface and wherein the at least one user interface element comprises one or more of the group consisting of a button, an icon, a dropdown list, a text link, a data entry field, a textbox, and a drag-and-drop zone.

20. The portable device according to claim 1, wherein the terminal comprises an input component configured to enable the user to manipulate a user interface element on the interactive user interface, wherein the terminal input component comprises one or more of the group consisting of a mouse, a keyboard, a trackpad, a touchpad, a touchscreen, a trackball, a joystick, goggles, and a microphone.

21. The portable device according to claim 1, wherein the at least one communication interface comprises a first communication interface configured to enable transmission of communications between the portable device and the terminal and a second communication interface configured to enable transmission of communications between the portable device and the communications network node.

22. The portable device according to claim 21, wherein the first communication interface comprises a wireless communication interface.

23. The portable device according to claim 20, wherein the terminal input component is configured to enable the user to control a cursor presented on the interactive user interface.

24. The portable device according to claim 1, wherein the third program code, when executed by the portable device processor, enables the portable device to cause a secure communication to be sent to the communications network node.

25. The portable device according to claim 21, wherein the first communication interface comprises a universal serial bus interface.

26. The portable device according to claim 21, wherein the second communication interface comprises a wireless communication interface.

27. The portable device according to claim 1, wherein the third program code, when executed by the portable device processor, facilitates a secure communication protocol to enable the portable device to cause a secure communication to be transmitted to the communications network node.

28. The portable device according to claim 1, wherein the third program code, when executed by the portable device processor, facilitates an encryption format to enable the portable device to cause a secure communication to be transmitted to the communications network node.

29. The portable device according to claim 1, wherein the third program code, when executed by the portable device processor, facilitates a cryptographic technique to enable the portable device to cause a secure communication to be transmitted to the communications network node.

30. The portable device according to claim 1, wherein the fourth program code, when executed by the portable device processor, is configured to cause a communication comprising portable device verification information to be transmitted to the communications network node.

31. The portable device according to claim 1, wherein the fourth program code, when executed by the portable device processor, is configured to facilitate the download of data to the communications network node.

32. The portable device according to claim 1, wherein the fourth program code, when executed by the portable device processor, is configured to facilitate access to data stored on a communications network node.

33. The portable device according to claim 1, wherein the portable device is configured to receive data transmitted from the communications network node and the fourth program code, when executed by the portable device processor, is configured to facilitate the transmission of data to the portable device.

34. The portable device according to claim 33, wherein the data comprises video data content.

35. The portable device according to claim 33, wherein the data comprises audio data content.

36. The portable device according to claim 33, wherein the data comprises a live data feed.

37. The portable device according to claim 34, wherein the terminal output component comprises a video monitor and the portable device is configured to transmit video data content to the terminal for presentation by the terminal video monitor.

38. The portable device according to claim 35, wherein the terminal output component comprises a speaker and the portable device is configured to transmit audio data content to the terminal for presentation by the terminal speaker.

35

39. The portable device according to claim 36, wherein the portable device is configured to transmit to the terminal the live data feed received from the communications network node.

40. The portable device according to claim 1, wherein the third program code stored on the portable device memory comprises an operating system.

41. The portable device according to claim 1, wherein the fourth program code, when executed by the portable device processor, is configured to cause the communication to be transmitted to the communications network node to facilitate the transmission of program code to the portable device.

42. The portable device according to claim 41, wherein the program code transmitted to the portable device comprises the fifth program code.

43. The portable device according to claim 42, wherein the fifth program code, when executed, is configured to affect the presentation of advertisement information by the terminal output component.

44. The portable device according to claim 1, wherein the fourth program code, when executed by the portable device processor, is configured to facilitate the transmission of encrypted data to a communications network node.

45. The portable device according to claim 1, wherein the fourth program code, when executed by the portable device processor, is configured to facilitate the transmission of encrypted data to the portable device.

46. The portable device according to claim 1, wherein the fourth program code, when executed by the portable device processor, is configured to facilitate synchronizing data stored on the portable device memory with data stored on a communications network node.

47. The portable device according to claim 1, wherein the fourth program code, when executed by the portable device processor, is configured to facilitate synchronizing program code stored on the portable device with program code stored on a communications network node.

48. The portable device according to claim 1, wherein the interactive user interface comprises a graphic user interface.

49. A portable device comprising:

(a) at least one communication interface configured to enable the transmission of communications between the portable device and a terminal comprising a terminal processor, an input component, an output component, and a network interface;

(b) a processor; and

(c) a memory having executable program code stored thereon, including:

(1) first program code which, when executed, causes an interactive user interface to be presented by the terminal output component, wherein the interactive user interface is configured to enable the user to cause the portable device processor to execute program code stored on the portable device memory;

(2) second program code which, when executed, enables the portable device to:

(i) receive a communication resulting from user interaction with the interactive user interface, and

(ii) cause a communication to be sent through the terminal network interface to a communications network comprising at least one communications network node; and

(3) third program code which, when executed by the portable device processor in response to a communication received from the terminal resulting from user interaction with the interactive user interface,

36

causes a communication to be transmitted to the communications network node;

wherein the portable device is configured to affect the presentation by the terminal output component of processing activity of program code stored on the portable device memory;

wherein the portable device is configured to communicate with the terminal; and

wherein the portable device is configured to securely communicate through the terminal network interface with the communications network node by employing one or more of the group consisting of a secure communication protocol, an encryption format, a cryptographic technique, key exchange, and a tunneling protocol.

50. The portable device according to claim 49, wherein the portable device is configured to securely communicate through the terminal network interface with the communications network node by employing a secure communication protocol.

51. The portable device according to claim 50, wherein the secure communication protocol comprises one or more of the group consisting of Secure HyperText Transfer Protocol (HTTPS) and Secure Socket Layer (SSL).

52. The portable device according to claim 49, wherein the portable device is configured to securely communicate through the terminal network interface with the communications network node by employing an encryption format.

53. The portable device according to claim 52, wherein the encryption format comprises one or more of the group consisting of checksum, Data Encryption Standard (DES), Elliptical Curve Encryption (EEC), International Data Encryption Algorithm (IDEA), Message Digest 5 (MD5) passwords, Rivest Cipher (RC5), Rijndael, RSA, and Secure Hash Algorithm (SHA).

54. The portable device according to claim 49, wherein the the portable device is configured to securely communicate through the terminal network interface with the communications network node by employing a cryptographic technique.

55. The portable device according to claim 54, wherein the cryptographic technique comprises one or more of the group consisting of digital certificates, digital signatures, dual signatures, enveloping, and public key management.

56. The portable device according to claim 49, wherein the the portable device is configured to securely communicate through the terminal network interface with the communications network node by employing a tunneling protocol.

57. The portable device according to claim 49, wherein the portable device is configured to securely communicate through the terminal network interface with the communications network node by employing key exchange.

58. The portable device according to claim 57, wherein the the key exchange comprises the exchange of security tokens between the portable device and the communications network node.

59. The portable device according to claim 49, wherein the third program code, when executed by the portable device processor, causes encrypted data to be transmitted through the terminal network interface to the communications network node.

60. The portable device according to claim 49, wherein the comprises a cryptographic unit configured to execute fourth program code to facilitate encryption of data.

61. The portable device according to claim 49, further comprising a cryptographic processor configured to execute fourth program code to facilitate encryption of data.

62. The portable device according to claim 60, wherein the cryptographic unit is configured to execute fourth program code to facilitate decryption of data.

63. The portable device according to claim 49, wherein the interactive user interface comprises a graphical interactive user interface having at least one user interface element configured to be manipulated by user interaction with the graphical interactive user interface.

64. The portable device according to claim 63, wherein the at least one user interface element comprises one or more of the group consisting of a button, an icon, a dropdown list, a text link, a data entry field, a textbox, and a drag-and-drop zone.

65. The portable device according to claim 63, wherein the terminal input component is configured to enable the user to manipulate a user interface element on the graphical interactive user interface.

66. The portable device according to claim 65, wherein the terminal input component comprises one or more of the group consisting of a mouse, a keyboard, a trackpad, a touchpad, a touchscreen, a trackball, a joystick, goggles, and a microphone.

67. The portable device according to claim 66, wherein the terminal input component is configured to enable the user to control a cursor presented by the graphical interactive user interface.

68. The portable device according to claim 67, wherein the cursor is a text cursor.

69. The portable device according to claim 67, wherein the cursor is a pointer.

70. The portable device according to claim 63, wherein the first program code, when executed, causes the terminal processor to execute fifth program code to present the graphical interactive user interface by the terminal output component.

71. The portable device according to claim 70, wherein the fifth program code, when executed by the terminal processor, causes a communication to be transmitted from the terminal to the portable device in response to user manipulation of a user interface element on the graphical user interface.

72. The portable device according to claim 71, wherein the communication transmitted from the terminal to the portable device in response to user manipulation of a user interface element on the graphical interactive user interface causes the portable device processor to execute the third program code.

73. The portable device according to claim 49, wherein the second program code, when executed, enables the portable device to cause a secure communication to be sent through the terminal network interface to a communications network node.

74. The portable device according to claim 49, wherein the portable device is configured to perform a secure transaction through the terminal network interface with the communications network node.

75. The portable device according to claim 74, wherein the secure transaction comprises an electronic payment transaction.

76. The portable device according to claim 49, wherein the second program code, when executed, enables the portable device to cause encrypted data to be transmitted through the terminal network interface to a communications network node.

77. The portable device according to claim 49, wherein the second program code, when executed, facilitates a secure communication protocol to enable the portable device to

cause a secure communication to be transmitted through the terminal network interface to a communications network node.

78. The portable device according to claim 49, wherein the second program code, when executed, facilitates an encryption format to enable the portable device to cause a secure communication to be transmitted through the terminal network interface to a communications network node.

79. The portable device according to claim 49, wherein the second program code, when executed, facilitates a cryptographic technique to enable the portable device to cause a secure communication to be transmitted through the terminal network interface to a communications network node.

80. The portable device according to claim 78, wherein the portable device processor is configured to execute the second program code.

81. The portable device according to claim 78, wherein the terminal output component comprises a video monitor and the portable device is configured to transmit video data content to the terminal for presentation by the terminal video monitor.

82. The portable device according to claim 79, wherein the terminal output component comprises a speaker and the portable device is configured to transmit audio data content to the terminal for presentation by the terminal speaker.

83. The portable device according to claim 49, wherein the portable device is configured to transmit to the terminal live data feed received from the communications network node.

84. The portable device according to claim 49, wherein the executable program code stored on the portable device memory comprises an operating system configured to be executed by the portable device processor.

85. The portable device according to claim 49, wherein the fourth program code, when executed by the portable device processor, is configured to facilitate the transmission of program code to the portable device.

86. The portable device according to claim 85, wherein the program code transmitted to the portable device comprises the fourth program code.

87. The portable device according to claim 86, wherein the fourth program code, when executed by the portable device processor, is configured to affect the presentation of advertisement information by the terminal output component.

88. The portable device according to claim 49, wherein the fourth program code, when executed by the portable device processor, is configured to facilitate the transmission of encrypted data to a communications network node.

89. The portable device according to claim 49, wherein the fourth program code, when executed by the portable device processor, is configured to facilitate the transmission of encrypted data to the portable device.

90. The portable device according to claim 49, wherein the fourth program code, when executed by the portable device processor, is configured to facilitate synchronizing data stored on the portable device memory with data stored on a communications network node.

91. The portable device according to claim 49, wherein the fourth program code, when executed by the portable device processor, is configured to facilitate synchronizing program code stored on the portable device with program code stored on a communications network node.

92. A method implemented on a portable device comprising a processor, a memory having executable program code stored thereon, and at least one communication interface



configured to enable the transmission of communications between the portable device and a communications network, the communications network comprising (i) a communications network node, (ii) and a terminal, the terminal comprising a processor, an output component configured to present an interactive user interface comprising at least one user interface element configured to be manipulated by a user to cause the portable device to execute program code, and a memory configured to store executable program code, including first program code which, when executed by the terminal processor, is configured to affect the presentation of the interactive user interface by the terminal output component, receive a command resulting from user manipulation of a user interface element of the interactive user interface, and cause a communication to be transmitted from the terminal to the portable device in response to the command resulting from user manipulation of a user interface element of the interactive user interface, and second program code which, when executed by the terminal processor, is configured to facilitate communications between the terminal and the portable device, the method comprising:

- (a) executing third program code stored on the portable device memory to enable communications between the portable device and the communications network node;
- (b) executing, in response to a communication received by the portable device from the terminal resulting from user manipulation of a user interface element of the interactive user interface presented by the terminal output component, fourth program code stored on the portable device memory to cause a communication to be transmitted to the communications network node; and
- (c) affecting the presentation of the interactive user interface by the terminal output component.

**93.** The method according to claim **92**, wherein executing the fourth program code to cause a communication to be transmitted to the communications network node comprises causing a secure communication to be transmitted to the communications network node.

**94.** The method according to claim **92**, wherein the terminal comprises a network interface and executing the fourth program code to cause a communication to be transmitted to the communications network node comprises causing a secure communication to be transmitted through the terminal network interface to the communications network node.

**95.** The method according to claim **94**, wherein executing the fourth program code to cause a secure communication to be transmitted to the communications network node comprises causing encrypted data to be transmitted through the terminal network interface to the communications network node.

**96.** The method according to claim **92**, further comprising employing a secure communication protocol to securely communicate with the communications network node.

**97.** The method according to claim **92**, further comprising employing an encryption format to securely communicate with the communications network node.

**98.** The method according to claim **92**, further comprising employing a cryptographic technique to securely communicate with the communications network node.

**99.** The method according to claim **92**, further comprising facilitating key exchange with the communications network node to enable secure communications between the portable device and the communications network node.

**100.** The method according to claim **94**, wherein the portable device comprises a cryptographic processor and the

step of executing the fourth program code to cause a secure communication to be transmitted to the communication network node comprises employing the cryptographic processor to cause a secure communication to be transmitted through the terminal network interface to the communications network node.

**101.** The method according to claim **92**, wherein affecting the presentation of the interactive user interface by the terminal output component comprises executing fifth program code stored on the portable device memory in response to a communication received from the terminal resulting from user manipulation of a user interface element of the interactive user interface.

**102.** The method according to claim **92**, wherein the at least one communication interface comprises a network interface configured to enable the transmission of communications between the portable device and the communications network node and the step of executing the fourth program code to cause a communication to be transmitted to the communications network node comprises causing a communication to the communications network node to be transmitted through the portable device network interface.

**103.** The method according to claim **92**, wherein affecting the presentation of the interactive user interface by the terminal output component comprises executing fifth program code in response to execution of the fourth program code.

**104.** The method according to claim **101**, wherein executing the fifth program code causes a communication to be transmitted to the terminal to affect the presentation of the interactive user interface by the terminal output component.

**105.** The method according to claim **101**, wherein executing the fifth program code causes a communication to be transmitted to the terminal to cause the terminal processor to execute sixth program code to affect the presentation of the interactive user interface by the terminal output component.

**106.** The method according to claim **92**, wherein the step of executing the fourth program code causes a digital certificate stored on the portable device memory to be transmitted to the communications network node to facilitate verification of the portable device.

**107.** The method according to claim **92**, wherein the step of executing the fourth program code causes a communication comprising portable device identification information stored on the portable device memory to be transmitted to the communications network node to facilitate verification of the portable device.

**108.** The method according to claim **92**, wherein the at least one communication interface comprises a wireless network interface configured to enable transmission of communications between the portable device and the terminal and between the portable device and the communications network node.

**109.** The method according to claim **108**, further comprising employing a WiFi connectivity protocol to enable transmission of wireless communications between the portable device and the terminal and between the portable device and the communications network node.

**110.** The method according to claim **108**, further comprising employing a Bluetooth connectivity protocol to enable the transmission of wireless communications between the portable device and the terminal and between the portable device and the communications network node.

**111.** The method according to claim **92**, wherein the at least one communication interface comprises a first communication interface configured to enable the transmission of communications between the portable device and the

41

terminal and a second communication interface configured to enable the transmission of communications between the portable device and the communications network node.

112. The method according to claim 111, wherein the first communication interface comprises a wireless communication interface.

113. The method according to claim 92, wherein the step of executing third program code stored on the portable device memory to enable the portable device to cause a secure communication to be sent to the communications network node comprises employing a secure communications protocol to enable the portable device to cause a secure communication to be sent to the communications network node.

114. The method according to claim 92, wherein the first communication interface is configured to employ a serial communication protocol step of executing third program code stored on the portable device memory to enable the portable device to cause a secure communication to be sent to the communications network node comprises employing an encryption format to enable the portable device to cause a secure communication to be sent to the communications network node.

115. The method according to claim 92, wherein the step of executing third program code stored on the portable device memory to enable the portable device to cause a secure communication to be sent to the communications network node comprises employing a cryptographic technique to enable the portable device to cause a secure communication to be sent to the communications network node.

116. The method according to claim 111, wherein the second communication interface comprises a wireless communication interface.

117. The method according to claim 92, wherein the step of executing fourth program code to cause a communication to be transmitted to the communications network node facilitates download of data to the portable device.

118. The method according to claim 92, wherein executing the fourth program code facilitates verification of the portable device.

119. The method according to claim 92, wherein executing the fourth program code facilitates access to data stored on a communications network node.

120. The method according to claim 92, wherein executing the fourth program code facilitates the transmission of data to the portable device.

121. The method according to claim 120, wherein the data comprises encrypted data.

122. The method according to claim 120, wherein the data comprises video data content.

123. The method according to claim 120, wherein the data comprises audio data content.

124. The method according to claim 120, wherein the data comprises a live data feed.

125. The method according to claim 122, further comprising transmitting the video data content to the terminal for presentation by the terminal output component.

126. The method according to claim 123, further comprising transmitting the audio data content to the terminal for presentation by the terminal output component.

127. The method according to claim 124, further comprising transmitting the live data feed to the terminal for presentation by the terminal output component.

128. The method according to claim 92, wherein executing the fourth program code facilitates the transmission of encrypted data to a communications network node.

42

129. The method according to claim 92, wherein executing the fourth program code facilitates synchronizing data stored on the portable device memory with data stored on a communications network node.

130. The method according to claim 92, wherein executing the fourth program code facilitates synchronizing program code stored on the portable device memory with program code stored on a communications network node.

131. The method according to claim 92, wherein affecting the presentation of the interactive user interface by the terminal output component comprises providing the terminal processor with access to fifth program code stored on the portable device memory which, when executed by the terminal processor, is configured to affect the presentation of the interactive user interface by the terminal output component.

132. The method according to claim 131, wherein providing the terminal processor with access to the fifth program code comprises storing the fifth program code on the terminal memory.

133. The method according to claim 92, wherein affecting the presentation of the interactive user interface by the terminal output component comprises executing fifth program code stored on the portable device memory to affect the presentation of the interactive user interface by the terminal output component.

134. The method according to claim 92, wherein affecting the presentation of the interactive user interface by the terminal output component comprises transmitting a communication to cause the terminal processor to execute fifth program code stored on the terminal memory to affect the presentation of an interactive user interface by the terminal output component.

135. The method according to claim 92, wherein affecting the presentation of the interactive user interface by the terminal output component comprises executing sixth program code stored on the portable device memory to cause a communication to be transmitted to the terminal to cause the terminal processor to execute fifth program code stored on the terminal memory to affect the presentation of an interactive user interface by the terminal output component.

136. The method according to claim 135, wherein affecting the presentation of the interactive user interface by the terminal output component comprises executing the sixth program code in response to a communication received by the portable device resulting from user interaction with an interactive user interface presented by the terminal output component.

137. The method according to claim 92, wherein affecting the presentation of the interactive user interface by the terminal output component results from executing the fourth program code.

138. A system implementing a communications network, the communications network comprising (i) a communications network node, and (ii) a terminal, the terminal comprising a processor, an output component configured to present an interactive user interface comprising at least one user interface element configured to be manipulated by a user to cause a portable device to execute program code, and a memory configured to store executable program code, including first program code which, when executed by the terminal processor, is configured to affect the presentation of the interactive user interface by the terminal output component, receive a command resulting from user manipulation of a user interface element of the interactive user interface, and cause a communication to be transmitted from the terminal to the portable device in response to the command

resulting from user manipulation of a user interface element of the interactive user interface and second program code which, when executed by the terminal processor, is configured to facilitate communications to and from the terminal, the system comprising:

(a) a portable device comprising at least one communication interface configured to enable the transmission of communications between the portable device and the communications network, a processor, and a memory having executable program code stored thereon, the portable device configured to:

- (1) execute third program code stored on the portable device memory to enable communications between the portable device and the communications network node;
- (2) execute, in response to a communication received by the portable device from the terminal resulting from user manipulation of a user interface element of the interactive user interface presented by the terminal output component, fourth program code stored on the portable device memory to cause a communication to be transmitted to the communications network node; and
- (3) affect the presentation of the interactive user interface by the terminal output component.

**139.** The system according to claim **138**, wherein the portable device processor is configured to execute the fourth program code to cause a secure communication to be transmitted to the communications network node.

**140.** The system according to claim **139**, wherein the terminal comprises a network interface and the portable device processor is configured to execute the fourth program code to cause a secure communication to be transmitted through the terminal network interface to the communications network node.

**141.** The system according to claim **140**, wherein the portable device processor is configured to execute the fourth program code to cause encrypted data to be transmitted through the terminal network interface to the communications network node.

**142.** The system according to claim **138**, wherein the portable device is configured to employ a secure communication protocol to securely communicate with the communications network node.

**143.** The system according to claim **138**, wherein the portable device is configured to employ an encryption format to securely communicate with the communications network node.

**144.** The system according to claim **138**, wherein the portable device is configured to employ a cryptographic technique to securely communicate with the communications network node.

**145.** The system according to claim **138**, wherein the portable device is configured to facilitate key exchange with the communications network node to enable secure communications between the portable device and the communications network node.

**146.** The system according to claim **139**, wherein the portable device processor comprises a cryptographic processor configured to execute the fourth program code to cause the secure communication to be transmitted to the communications network node.

**147.** The system according to claim **138**, wherein, in response to a communication received from the terminal resulting from user manipulation of a user interface element of the interactive user interface, the portable device processor is configured to execute fifth program code stored on the

portable device memory to affect the presentation of the interactive user interface by the terminal output component.

**148.** The system according to claim **138**, wherein the at least one communication interface comprises a network interface configured to enable the transmission of communications between the portable device and the communications network node and the portable device processor is configured to execute the fourth program code to cause the communication to be transmitted through the portable device network interface to the communications network node.

**149.** The system according to claim **138**, wherein, in response to executing the fourth program code, the portable device processor is configured to execute fifth program code to retrieve data stored on the portable device memory to affect the presentation of the interactive user interface by the terminal output component.

**150.** The system according to claim **147**, wherein executing the fifth program code causes the portable device to transmit a communication to the terminal to affect the presentation of the interactive user interface by the terminal output component.

**151.** The system according to claim **147**, wherein executing the fifth program code causes the portable device to transmit a communication to the terminal to cause the terminal processor to execute sixth program code to affect the presentation of the interactive user interface by the terminal output component.

**152.** The system according to claim **138**, wherein the portable device processor is configured to execute the fourth program code to cause a communication comprising a digital certificate stored on the portable device memory to be transmitted to the communications network node to facilitate verification of the portable device.

**153.** The system according to claim **138**, wherein the portable device processor is configured to execute the fourth program code to cause a communication comprising portable device identification information stored on the portable device memory to be transmitted to the communications network node to facilitate verification of the portable device.

**154.** The system according to claim **138**, wherein the at least one communication interface comprises a wireless network interface configured to enable the transmission of communications between the portable device and the terminal and between the portable device and the communications network node.

**155.** The system according to claim **154**, wherein the interactive user interface comprises a graphical interactive user interface and wherein the at least one user interface element comprises one or more of the group consisting of a button, an icon, a dropdown list, a text link, a data entry field, a textbox, and a drag-and-drop zone.

**156.** The system according to claim **154**, wherein the terminal comprises an input component configured to enable the user to manipulate a user interface element on the interactive user interface, wherein the terminal input component comprises one or more of the group consisting of a mouse, a keyboard, a trackpad, a touchpad, a touchscreen, a trackball, a joystick, goggles, and a microphone.

**157.** The system according to claim **138**, wherein the at least one communication interface comprises a first communication interface configured to enable the transmission of communications between the portable device and the terminal and a second communication interface configured to enable the transmission of communications between the portable device and the communications network node.

45

158. The system according to claim 157, wherein the first communication interface comprises a wireless communication interface.

159. The system according to claim 156, wherein the terminal input component is configured to enable the user to control the cursor presented on the interactive user interface.

160. The system according to claim 138, wherein the third program code, when executed by the portable device processor, enables the portable device to cause a secure communication to be sent to the communications network node.

161. The system according to claim 157, wherein the first communication interface comprises a universal serial bus interface.

162. The system according to claim 157, wherein the second communication interface comprises a wireless communication interface.

163. The system according to claim 160, wherein the third program code, when executed by the portable device processor, facilitates a secure communication protocol to enable the portable device to cause a secure communication to be transmitted to the communications network node.

164. The system according to claim 138, wherein the portable device processor is configured to execute the fourth program code to facilitate verification of the portable device.

165. The system according to claim 138, wherein the portable device processor is configured to execute the fourth program code to facilitate access to data stored on a communications network node.

166. The system according to claim 138, wherein the portable device processor is configured to execute the fourth program code to facilitate the transmission of data to the portable device.

167. The system according to claim 166, wherein the data comprises encrypted data.

168. The system according to claim 166, wherein the data comprises video data content.

169. The system according to claim 166, wherein the data comprises audio data content.

170. The system according to claim 166, wherein the data comprises a live data feed.

171. The system according to claim 168, wherein the portable device is configured to transmit the video data content to the terminal for presentation by the terminal output component.

172. The system according to claim 169, wherein the portable device is configured to transmit the audio data content to the terminal for presentation by the terminal output component.

173. The system according to claim 170, wherein the portable device is configured to transmit the live data feed to the terminal for presentation by the terminal output component.

174. The system according to claim 138, wherein the portable device processor is configured to execute the fourth program code to facilitate the transmission of encrypted data to a communications network node.

175. The system according to claim 138, wherein the portable device processor is configured to execute the fourth program code to facilitate synchronizing data stored on the portable device memory with data stored on a communications network node.

176. The system according to claim 138, wherein the portable device processor is configured to execute the fourth program code to facilitate synchronizing program code stored on the portable device memory with program code stored on a communications network node.

46

177. The system according to claim 138, wherein the portable device is configured to affect the presentation of the interactive user interface by the terminal output component by providing the terminal processor with access to fifth program code stored on the portable device memory which, when executed by the terminal processor, is configured to affect the presentation of the interactive user interface by the terminal output component.

178. The system according to claim 177, wherein the portable device is configured to provide the terminal processor with access to the fifth program code by storing the fifth program code on the terminal memory.

179. The system according to claim 140, wherein the portable device is configured to affect the presentation of the interactive user interface by the terminal output component by executing fifth program code stored on the portable device memory to affect the presentation of the interactive user interface by the terminal output component.

180. The system according to claim 138, wherein the portable device is configured to affect the presentation of the interactive user interface by the terminal output component by causing a communication to be transmitted to the terminal to cause the terminal processor to execute fifth program code stored on the terminal memory to affect the presentation of an interactive user interface by the terminal output component.

181. The system according to claim 138, wherein the portable device is configured to affect the presentation of the interactive user interface by the terminal output component by executing sixth program code stored on the portable device memory to cause a communication to be transmitted to the terminal to cause the terminal processor to execute fifth program code stored on the terminal memory to affect the presentation of an interactive user interface by the terminal output component.

182. The system according to claim 181, wherein the portable device is configured to affect the presentation of the interactive user interface by the terminal output component by executing the sixth program code in response to a communication received by the portable device resulting from user interaction with an interactive user interface presented by the terminal output component.

183. The system according to claim 138, wherein the portable device is configured to affect the presentation of the interactive user interface by the terminal output component as a result of executing the fourth program code.

184. A portable device configured to communicate with a communications network comprising a communications network node and with a terminal comprising an output component configured to present an interactive user interface comprising at least one user interface element configured to be manipulated by a user to enable control of the portable device, the portable device comprising:

- a. a network interface configured to enable the transmission of communications between the portable device and the communications network node, wherein the communications comprise data content transmitted from the communications network node to the portable device;
- b. a communications interface configured to enable the transmission of communications between the portable device and the terminal, wherein the communications comprise a data content stream transmitted from the portable device to the terminal;
- c. a processor configured to stream data content for presentation by the terminal output component; and

- d. a memory having executable program code stored thereon, including:
  - i. first program code which, when executed, presents an interactive user interface on the terminal output component, receives a command resulting from user manipulation of a user interface element of the interactive user interface, and causes a communication to the portable device processor in response to the command resulting from user manipulation of a user interface element of the interactive user interface;
  - ii. second program code which, when executed by the portable device processor, enables the portable device to communicate with the communications network node;
  - iii. third program code which, when executed by the portable device in response to a command resulting from user manipulation of a user interface element of the interactive user interface, causes a communication to be transmitted through the portable device network interface to the communications network node; and
  - iv. fourth program code which, when executed by the portable device, processes data content received from the communications network node through the portable device network interface for transmission through the communications interface to the terminal and presentation by the terminal output component.

**185.** The portable device according to claim **184**, wherein the terminal output component comprises a speaker and the data content stream comprises audio data content transmitted from the portable device through the communications interface to the terminal for presentation by the terminal speaker.

**186.** The portable device according to claim **184**, wherein the data content stream comprises a live data feed.

**187.** The portable device according to claim **184**, wherein the third program code, when executed by the portable device in response to a command resulting from user manipulation of a user interface element of the interactive user interface, causes a communication to be transmitted through the portable device network interface to the communications network node to facilitate verification of the portable device.

**188.** The portable device according to claim **184**, wherein the third program code, when executed by the portable device in response to a command resulting from user manipulation of a user interface element of the interactive user interface, causes a communication to be transmitted through the portable device network interface to the communications network node to facilitate the transmission of data content from the communications network node to the portable device.

**189.** The portable device according to claim **184**, wherein the presentation of the interactive user interface by the terminal output component is configured to reflect the identity of the user.

**190.** The portable device according to claim **184**, wherein the presentation of the interactive user interface by the terminal output component comprises advertisement content.

**191.** The portable device according to claim **184**, wherein the portable device is configured to employ a secure communication protocol to securely communicate through the network interface with the communications network node.

**192.** The portable device according to claim **191**, wherein the secure communication protocol facilitates secure communications to enable a secure electronic payment transaction.

\* \* \* \* \*