



US007512563B2

(12) **United States Patent**
Likourezos et al.

(10) **Patent No.:** **US 7,512,563 B2**
(45) **Date of Patent:** **Mar. 31, 2009**

(54) **SYSTEM AND METHOD TO AUTOMATE PAYMENT FOR A COMMERCE TRANSACTION**

WO WO 00/34899 A1 6/2000
WO WO 00/51047 A2 8/2000

(Continued)

(75) Inventors: **George Likourezos**, St. James, NY (US); **Michael A. Scaturro**, Garden City, NY (US)

OTHER PUBLICATIONS

Click, Click, Sold Tips for Wheeler-Dealers—So You Get a Good Deal; [Florida Edition] Anne Sinatra, University High. Orlando Sentinel. Orlando, Fla.: Dec. 1, 2000. p. Y2.*

(73) Assignee: **XPRT Ventures, LLC**, Greenwich, CT (US)

(Continued)

(*) Notice: Subject to any disclaimer, the term of this patent is extended or adjusted under 35 U.S.C. 154(b) by 0 days.

Primary Examiner—Frantzy Poinvil
Assistant Examiner—Clement Graham
(74) *Attorney, Agent, or Firm*—George Likourezos; Michael A. Scaturro; Leo G. Lenna

(21) Appl. No.: **11/654,237**

(57) **ABSTRACT**

(22) Filed: **Jan. 17, 2007**

(65) **Prior Publication Data**

US 2007/0118476 A1 May 24, 2007

Related U.S. Application Data

(63) Continuation of application No. 09/946,616, filed on Sep. 5, 2001, which is a continuation-in-part of application No. 09/764,618, filed on Jan. 17, 2001.

The invention provides a computerized electronic auction payment system and method for effecting a real-time payment for an item won in an electronic auction by setting up and maintaining electronic auction payment accounts for prospective bidders and sellers. The prospective bidders provide funds to their electronic auction payment accounts maintained by the computerized electronic auction payment system, prior to being deemed as winning bidders, via direct deposit, using a credit card, or sending a check, money order, or other financial document to an operator of the computerized electronic auction payment system. In one embodiment, upon being deemed as a winning bidder, the winning bidder accesses a payment page, enters the total amount of funds to be transferred to the seller, and authorizes the computerized electronic auction payment system to effect a real-time payment by debiting his, i.e., the winning bidder's, respective electronic auction payment account and crediting the electronic auction payment account of the seller, and/or another account specified by the seller. In an alternate embodiment, the prospective bidder authorizes the computerized electronic auction payment system to effect a real-time payment to the seller upon the prospective bidder being deemed the winning bidder (i.e., immediately following the conclusion of the auction). That is, without the winning bidder having to access the payment page.

(51) **Int. Cl.**

G06Q 40/00 (2006.01)

(52) **U.S. Cl.** **705/39; 705/37; 705/36; 705/35**

(58) **Field of Classification Search** **705/35-38, 705/34**

See application file for complete search history.

(56) **References Cited**

U.S. PATENT DOCUMENTS

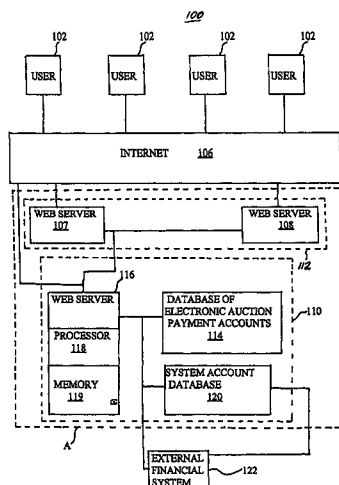
4,876,648 A * 10/1989 Lloyd 705/38

(Continued)

FOREIGN PATENT DOCUMENTS

JP 2002074235 A 3/2002

22 Claims, 9 Drawing Sheets



U.S. PATENT DOCUMENTS

5,689,649 A * 11/1997 Altman et al. 705/36
 5,715,314 A 2/1998 Payne et al.
 5,794,219 A 8/1998 Brown
 5,845,265 A 12/1998 Woolston
 5,890,138 A 3/1999 Godin et al.
 5,946,668 A * 8/1999 George 705/38
 5,956,700 A * 9/1999 Landry 705/40
 5,960,411 A 9/1999 Hartman et al.
 6,021,397 A * 2/2000 Jones et al. 705/36 R
 6,044,360 A 3/2000 Picciallo
 6,085,176 A 7/2000 Woolston
 6,138,106 A 10/2000 Walker et al.
 6,138,107 A 10/2000 Elgamal
 6,202,051 B1 3/2001 Woolston
 6,266,651 B1 7/2001 Woolston
 6,304,860 B1 * 10/2001 Martin et al. 705/43
 6,321,211 B1 11/2001 Dodd
 6,466,917 B1 10/2002 Goyal et al.
 6,477,509 B1 11/2002 Hammons et al.
 6,629,081 B1 * 9/2003 Cornelius et al. 705/30
 6,629,082 B1 9/2003 Hambrecht et al.
 6,760,470 B1 * 7/2004 Bogosian et al. 382/139
 7,177,836 B1 2/2007 German et al.
 7,222,092 B2 5/2007 Grove et al.
 7,299,206 B2 11/2007 Taylor et al.
 7,340,429 B2 3/2008 Maltzman
 7,343,335 B1 3/2008 Olliphant
 2001/0009005 A1 7/2001 Godin et al.
 2001/0042785 A1 * 11/2001 Walker et al. 235/379
 2002/0002513 A1 1/2002 Chiasson
 2002/0016769 A1 2/2002 Barbara et al.
 2002/0026396 A1 2/2002 Dent et al.
 2002/0029339 A1 3/2002 Rowe
 2002/0032653 A1 3/2002 Schutzer
 2002/0077978 A1 6/2002 O'Leary et al.
 2002/0087461 A1 7/2002 Ganesan et al.
 2002/0128878 A1 9/2002 Maritzen et al.
 2003/0093326 A1 5/2003 Poon et al.
 2004/0117302 A1 * 6/2004 Weichert et al. 705/40
 2004/0128195 A1 7/2004 Sorem
 2004/0204990 A1 10/2004 Lee et al.
 2004/0204991 A1 10/2004 Monahan et al.
 2004/0225606 A1 11/2004 Nguyen et al.
 2004/0260615 A1 12/2004 Phillips et al.
 2005/0065881 A1 3/2005 Li et al.
 2005/0071244 A1 3/2005 Phillips et al.
 2005/0102242 A1 5/2005 Omidyar
 2005/0108104 A1 5/2005 Woo
 2005/0144071 A1 6/2005 Monahan et al.
 2005/0149394 A1 7/2005 Postrel
 2005/0228750 A1 10/2005 Olliphant
 2005/0256806 A1 11/2005 Tien et al.
 2006/0036541 A1 2/2006 Schleicher
 2006/0143109 A1 6/2006 Goel
 2006/0149665 A1 7/2006 Weksler
 2006/0229998 A1 10/2006 Harrison
 2006/0293994 A1 12/2006 Stuart
 2007/0011104 A1 1/2007 Leger et al.
 2007/0136177 A1 6/2007 Reeth et al.
 2007/0265961 A1 11/2007 Shah et al.
 2008/0015971 A1 1/2008 Maltzman
 2008/0097896 A1 4/2008 Fisher et al.
 2008/0104518 A1 5/2008 Monahan et al.

2008/0133390 A1 6/2008 Scipioni

FOREIGN PATENT DOCUMENTS

WO WO 01/04816 A1 1/2001
 WO WO 01/20524 A1 3/2001
 WO WO 01/33447 A1 5/2001
 WO WO 01/33449 A1 5/2001
 WO WO 01/45002 A1 6/2001
 WO WO 01/71452 A2 9/2001
 WO WO 01/71452 A2 9/2001
 WO WO 01/71452 A3 9/2001
 WO WO01/86550 A2 11/2001
 WO WO02/07059 A1 1/2002
 WO WO02/21384 A1 3/2002
 WO WO 02/35427 A1 5/2002
 WO WO 02/37233 A2 5/2002
 WO WO 03/065151 A2 8/2003
 WO WO 2004/099939 A3 11/2004
 WO WO 2005/048152 A1 5/2005

OTHER PUBLICATIONS

eBay and Wells Fargo Launch Electronic Check as Alternative to Credit Card and Traditional Checks: eBay Online Payments by Billpoint Provides Fast, Economical Internet Payment Service, Jun. 6, 2000, Wells Fargo, <http://www.wellsfargo.com/press/article>, printed on Oct. 10, 2002.
 Bidder Beware: Towards a Fraud-Free Marketplace—Best Practices for the Online Auction Industry, Selis et al, Jun. 2002, <http://www.wa.gov/ago/consumer/auctions/home.htm>, printed on Oct. 25, 2002.
 Bidder Beware: Towards a Fraud-Free Marketplace—Best Practices for the Online Auction Industry, Selis et al, Apr. 2001.
 Payment Methods For Consumer-To-Consumer Online Transactions, David E. Sorkin, 35 Akron L. Rev. 1 (2001).
<http://www.PayPal.com> web site pages, printed on Jan. 29, 2001, copyright 2001 PayPal, 27 pages.
<http://www.billpoint.com> web site pages, printed on Dec. 29, 2000, copyright 2000, Billpoint, Inc., 12 pages.
<http://www.paydirect.yahoo.com> web site pages, printed on Jul. 17, 2001, 15 pages.
 PDG Auction User Guide, Version 1.0, copyright 1998, 1999, 2000, PDG Software, Inc., 137 pages.
<http://www.bidfind.com> web site pages, printed on Jul. 18, 2001, 8 pages.
<http://www.pdqsoft.com> web site pages, printed on Jul. 18, 2001, 5 pages.
 ProQuest. Ask the Maven, Newsday. (Combined Editions). Long Island, N.Y., Dec. 6, 2000, p. C.07. <http://proquest.umi.com>. printed Oct. 24, 2007.
 Request for Reconsideration of Petition to Make Special Pursuant to 37 C.F.R. Sec. 1.102 and accompanying documents filed in 09/946,616 and received by OIPE on Jun. 7, 2002-35 pgs.
 Request for Reconsideration of Petition to Make Special Pursuant to 37 C.F.R. Sec. 1.102 and similar documents filed in 10/044,075 and received by OIPE on May 1, 2002, 49 pages.
 Buyer Payment Tutorial, http://pages.ebay.com/checkout/buyer_1.html, printed on Jul. 24, 2008, 7 pages.
 Seller Payment Tutorial, http://pages.ebay.com/checkout/seller_1.html, printed on Jul. 24, 2008, 6 pages.
 Google Checkout, <https://checkout.google.com>, printed on Jul. 24, 2008, 16 pages.
<http://blogs.zdnet.com>, Donna Bogatin, "It's official: Google launches 'Checkout' with predatory pricing model aiming to 'increase advertising spending'," Jun. 29, 2006, 3 pages.
<http://AuctionBytes.com/cab/abn/y06/m06/i29/s00>, Ina Steiner, "eBay's Fears Confirmed: Google Launches Checkout Service," Jun. 29, 2006, 4 pages.

* cited by examiner

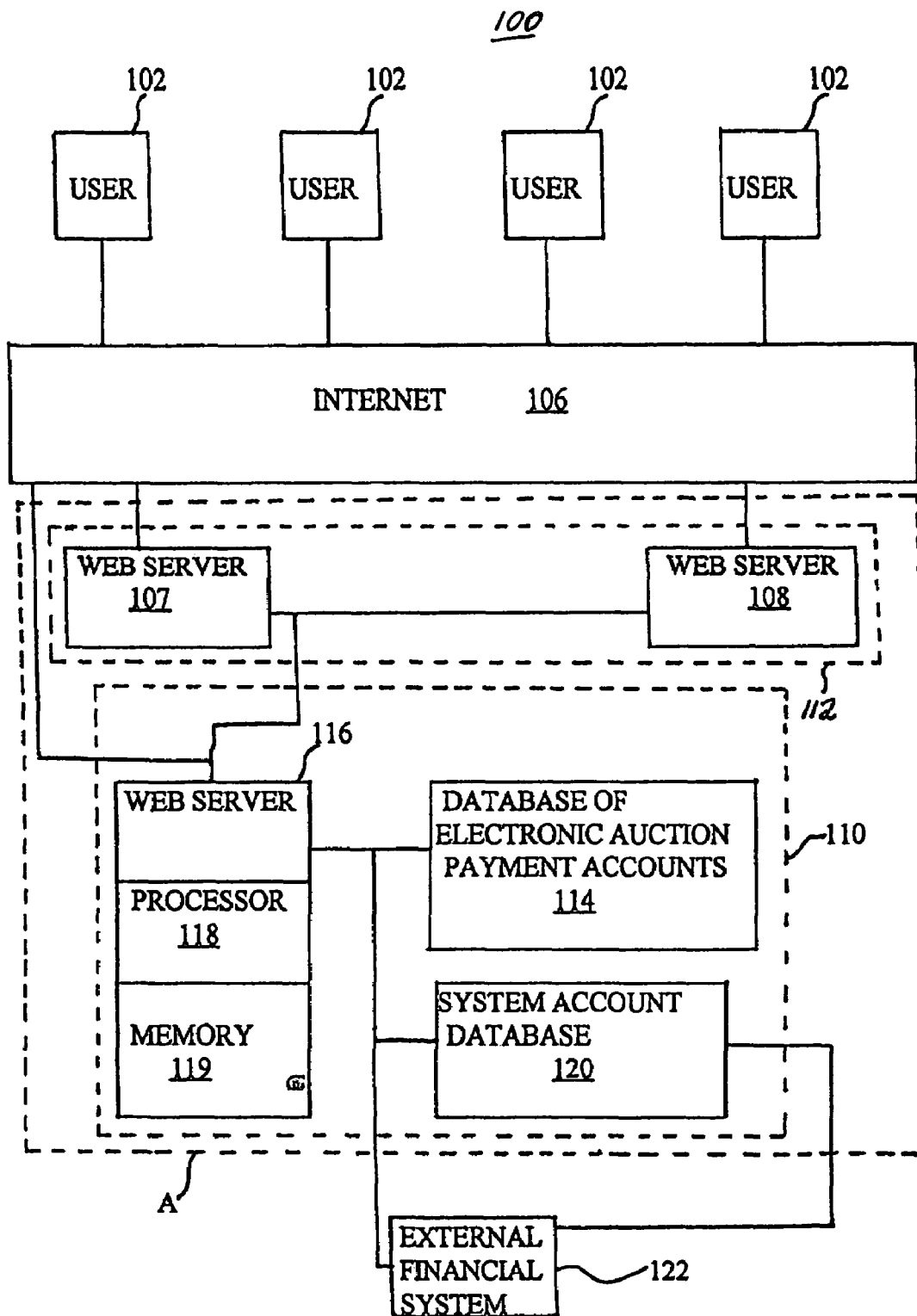


FIG. 1

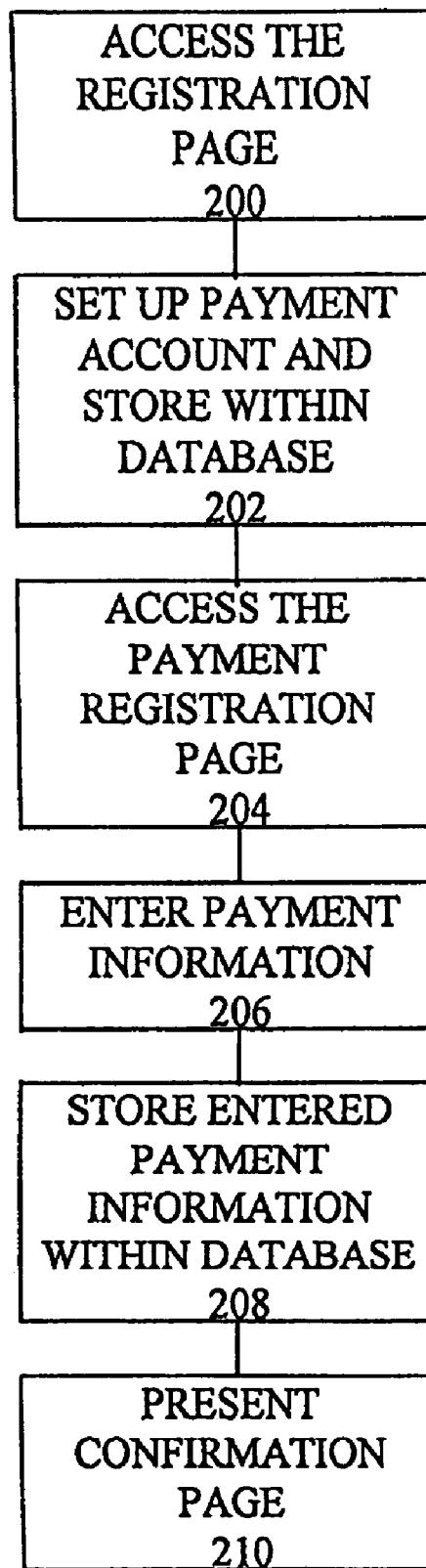


FIG. 2A

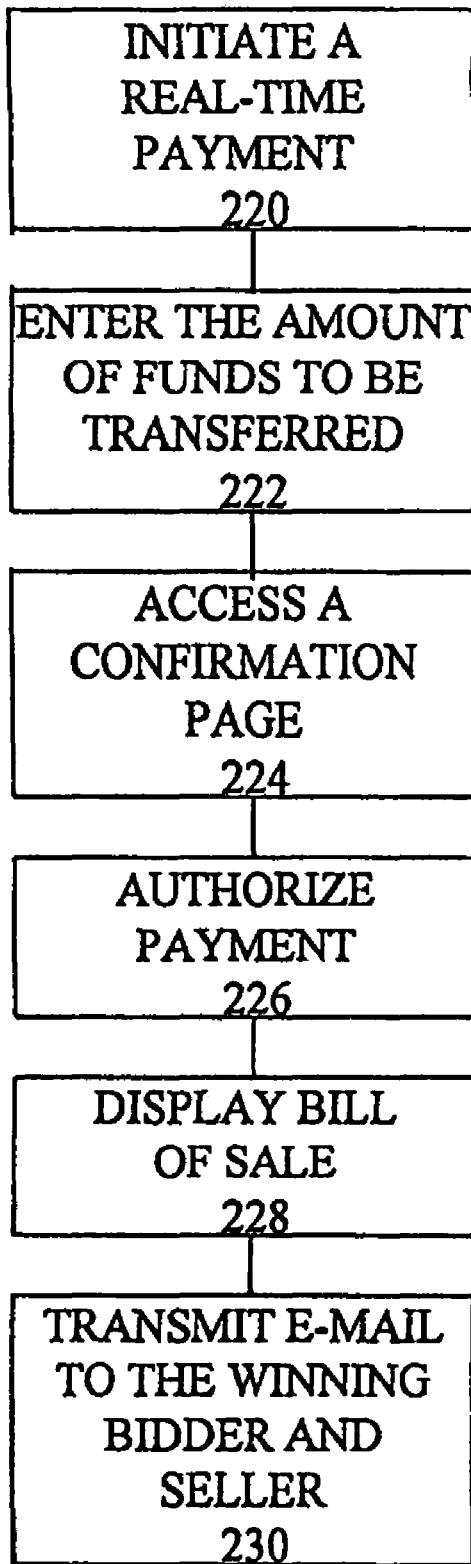


FIG. 2B

300

PLEASE REGISTER

<u>FIRST NAME</u>	<u>M.I.</u>	<u>LAST NAME</u>	<u>DATE OF BIRTH</u>
<u>SOCIAL SECURITY NO.</u>			
<u>MAILING ADDRESS</u>		<u>COUNTRY OF CITIZENSHIP</u>	
<u>CITY</u>	<u>STATE</u>	<u>ZIP CODE</u>	<u>COUNTRY</u>
			<u>USER-NAME</u> } <i>304</i>
			<u>PASSWORD</u> } <i>306</i>
			<i>308</i> NEXT →

FIG. 3

<u>I. BANK ACCOUNT INFORMATION</u>		<u>II CREDIT CARD INFORMATION</u>	
NAME OF BANK ACCOUNT NUMBER		CREDIT CARD NO. EXP. DATE	
MAILING ADDRESS NAME OF ACCOUNT HOLDER		NAME ON CREDIT CARD	
CITY STATE ZIP CODE	CREDIT CARD ISSUER (VISA, ETC.)		
408 → % OF FUNDS FROM I. % OF FUNDS FROM II.		MAIL BANK ACCOUNT INFO., CREDIT CARD INFO., OR CHECK/ MONEY ORDER TO: AUCTIONS PAYMENT LED. 15 MERCER LANE, NY, NY 10015 (212) 555-2490 ← 406	
410 → % OF FUNDS TO BE TRANSFERRED TO I. % OF FUNDS TO BE TRANSFERRED TO II.			
ENTER AMOUNT OF FUNDS TO DEPOSIT IN THE ELECTRONIC AUCTION PAYMENT ACCOUNT ↑ 412		ENTER AMOUNT OF FUNDS TO BE WITHDRAWN ↑ 414	
		AUTOMATIC PAYMENT YES (Y) OR NO(N) ← 416	

FIG. 4A

400

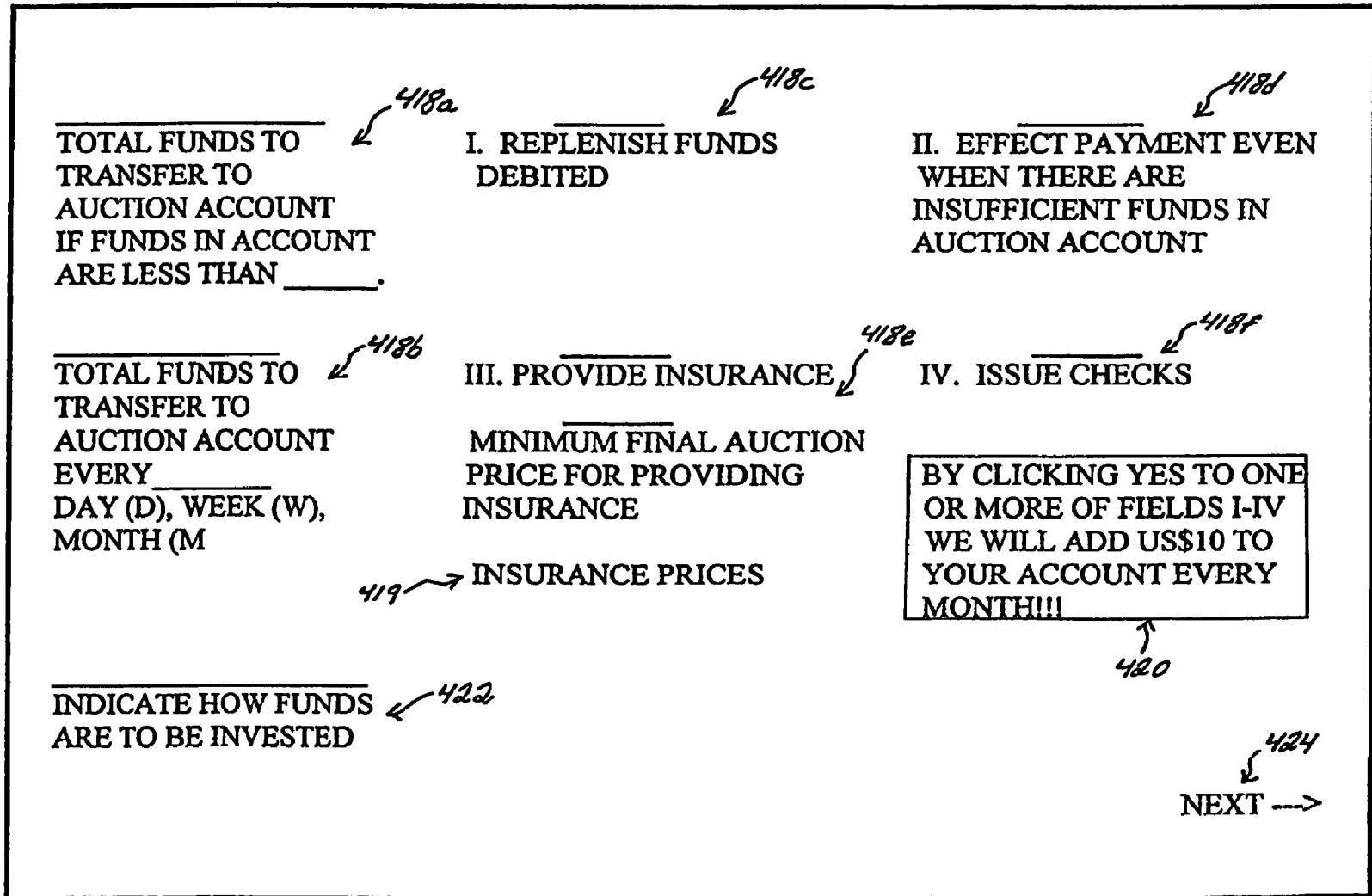


FIG. 4B

500

PAYMENT PAGE

AUCTION ITEM NO. 42134698
ITEM DESCRIPTION: SILVER BOWL (CIRCA 1920)
SELLER USER-NAME: SILVERRADO
BUYER USER-NAME: I LOVE COLLECTING
FINAL AUCTION PRICE: US \$115.00

502 → ENTER TOTAL FUNDS TO TRANSFER: _____
504 → INSURANCE (OPTIONAL): _____

INSURANCE PRICES ← 506

ENTER PASSWORD: _____ ← 510

512
↓
NEXT →

FIG. 5

600

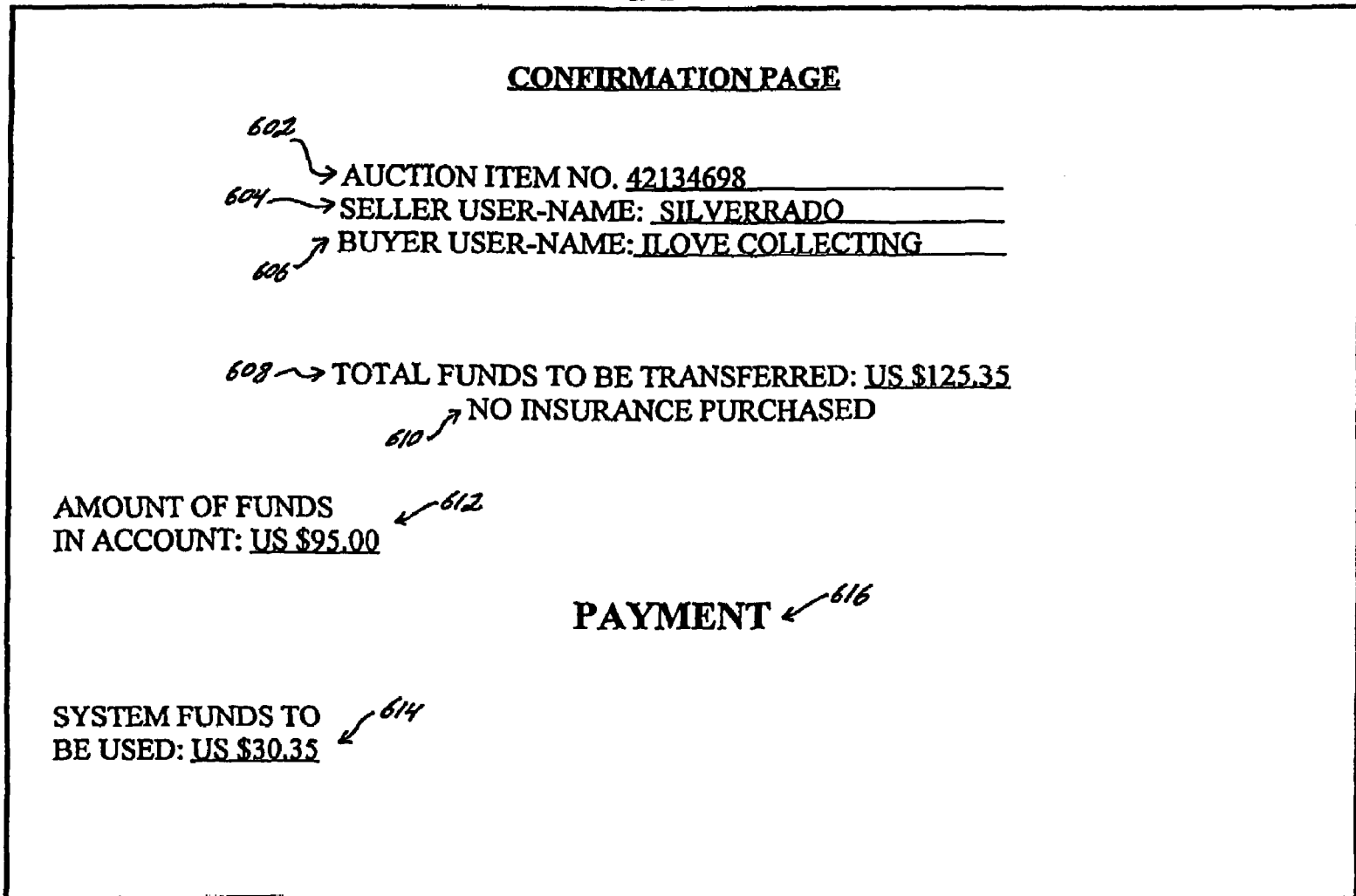


FIG. 6

700

BILL OF SALE

702 → AUCTION ITEM NO. 42134698

704 → ITEM DESCRIPTION: SILVER BOWL (CIRCA 1920)

706 → SELLER USER-NAME: SILVERRADO

708 → BUYER USER-NAME: ILOVE COLLECTING

ELECTRONIC AUCTION PAYMENT ACCOUNT NO.: 2695478 ← 710

TOTAL FUNDS TRANSFERRED: US \$125.35 ← 712

NO INSURANCE PURCHASED ← 714

PRINT ← 716

FIG. 7

**SYSTEM AND METHOD TO AUTOMATE
PAYMENT FOR A COMMERCE
TRANSACTION**

PRIORITY

The present application is a continuation application of an application filed on Sep. 5, 2001 and assigned U.S. patent application Ser. No. 09/946,616 which is a continuation-in-part application of an application filed on Jan. 17, 2001 and assigned U.S. patent application Ser. No. 09/764,618. The entire contents of both applications are incorporated herein by reference.

FIELD OF THE INVENTION

The present invention relates to a computerized electronic auction payment system and a method for effecting a real-time payment using the computerized electronic auction payment system for an item won on an electronic auction, where users access the computerized electronic auction payment system by remote terminals via an electronic network, such as the Internet.

BACKGROUND OF THE INVENTION

A conventional auction is a prior art process in which bids from bidders are received by an auctioneer for an item to be sold. The bidder whose bid is the highest at the termination of the auction (the "successful or winning bidder") becomes the purchaser of the item.

With the advent of electronic networks, such as the Internet, electronic auctions have become tremendously popular. Electronic auctions typically entail a seller of an item accessing an electronic auction web site, such as EBAY™ and YAHOO!™ Auctions, using a remote terminal and a web browser via the electronic network. The prospective seller then lists the item for sale with a short description describing the item which may include a scanned photograph of the item, provides a beginning selling price, and a date and time for the auction to end. Generally, the date and time for the auction to end must be at least seven to ten days from the present date and time; the present date and time is generally set as the date and time for the auction to begin by an auction management system, such as software and hardware modules, overseeing the electronic auction web site.

The seller can also provide, prior to initiating the commencement of the electronic auction, any additional costs the winning bidder will have to pay, such as shipping and handling fees and taxes, and any additional costs the winning bidder is recommended to pay, such as shipping insurance. Additional information which is provided by the seller or the electronic auction web site management system, prior to the commencement of the electronic auction, includes identification information corresponding to the seller, e.g., the seller's user-name, and the seller's location.

During the auction, a prospective bidder using a remote terminal accesses the electronic auction web site via the electronic network and views the item for sale. The prospective bidder can then submit a bid by typing a bid amount, which is greater than a displayed current selling price, and entering his user-name. The auction web site then informs the user or bidder whether he is or is not currently the highest bidder. If the bidder is not the highest bidder, the electronic auction web site informs the bidder of the current selling price and offers the bidder an opportunity to bid again.

The bidder may not be the highest bidder even though the bidder may have entered a bid amount greater than the displayed current selling price, because each bidder is allowed to enter a maximum bid amount, i.e., the most the bidder is willing to pay for the item. The electronic auction web site, however, typically displays an amount less than the maximum bid amount, which is sufficient to surpass a previous bid, as the displayed current selling price. Hence, a current bidder's bid amount may be greater than the displayed current selling price, but not greater than the previous bidder's maximum bid amount. Therefore, the current bidder will need to bid again if he desires to surpass the previous bidder's maximum bid amount and become the current high bidder.

The electronic auction web site also offers a prospective bidder the option of sending an e-mail to the seller via the electronic network in order to obtain additional information about the item offered for sale, prior to bidding for the item. The seller can then e-mail the prospective bidder with the additional information which may assist the prospective bidder in determining whether to bid or not to bid for the item. Further, if the seller realizes that the additional information can be helpful to other prospective bidders, the seller can append the description of the item with the additional information to allow anyone accessing the section of the electronic auction web site listing the item to read the additional information.

At the conclusion of the electronic auction, the electronic auction web site management system deems the bidder who has the highest bid as the winning bidder. To effect payment for the item, an e-mail is sent to the seller and the winning bidder informing them to contact each other to proceed with a payment transaction. Upon the seller notifying the winning bidder of where to send payment, e.g., a check or money order, the winning bidder sends payment equal to the highest bid plus any other costs, such as shipping and handling, shipping insurance, and taxes, as indicated by the seller. Soon after receiving the payment from the winning bidder, the seller ships the item to the winning bidder.

Another prior art method for effecting payment for the item won on the electronic auction entails clicking an icon on the electronic auction web site and accessing a payment web site (or a payment segment of the electronic auction web site). The payment web site typically lists the seller's user-name and the item won. While at the payment web site, the winning bidder enters credit card information and the amount to be charged to his credit card. Subsequently, a management system overseeing the payment web site charges the credit card for the entered amount to a company or entity affiliated with an operator or owner of the payment web site. Upon payment confirmation, an e-mail is sent to the seller instructing the seller to ship the item to the winning bidder. After two to three business days, the payment web site management system pays the seller by direct deposit an amount equal to the charged amount minus a commission and a transaction fee. The commission typically paid to the operator or owner of the electronic auction web site and the transaction fee is paid to the operator or owner of the payment web site.

A variation of this method is for the winning bidder to directly transfer his credit card information to the seller. The seller then charges the credit card information and waits for a payment confirmation prior to shipping the item to the winning bidder.

It is a drawback of the prior art methods for effecting payment for the item won on the electronic auction in that the winning bidder is apt to waiting prior to effecting payment, since the winning bidder will need to perform several tasks, such as, for example, draft a check made payable to the seller,

and mail the check to the seller. The winning bidder is also apt to waiting when he is bidding on other items, since the winning bidder usually prefers to draft checks, obtain money orders, etc. and mail them to the various sellers at one time.

Another drawback is that the seller must wait at least two business days to several weeks before being paid. For example, in the first prior art method described above, the winning bidder must draft a check, obtain a money order, or some other payment document, and mail it to the seller. This two-step process of paying for the item won typically causes the winning bidder to wait several days before proceeding with payment. Hence, this prior art method causes a delay from the time an auction ended until the time the seller is paid.

With the second prior art method described above, the winning bidder must enter his credit card information every time he wins an item on the electronic auction. Besides being cumbersome, a percentage of the population does not own credit cards and a percentage of the population feels uneasy transferring their credit card information via the electronic network, especially to unknown sellers. Further, the winning bidder is apt to waiting until the start of a new credit card billing cycle before transferring his credit card information to pay for the item won on the electronic auction. Again, this prior art method causes a delay from the time the auction ended until the time the seller is paid.

Another drawback with regards to the prior art methods is that the operator of the electronic auction web site must wait several days to several weeks before being paid a commission by the seller. The operator generally gets paid its commission by charging the seller's credit card, usually after e-mailing the seller and asking for the seller's authorization. It is apparent that there exists a delay from the time the auction ended until the time the operator of the electronic auction web site is paid its commission.

Accordingly, there exists a need for effecting a real-time payment for an item won on an electronic auction which overcomes the drawbacks provided above. Further, there exists a need for allowing the winning bidder to effect payment for an item won on an electronic auction without having to type and transfer credit card information over an electronic network. Further still, there exists a need for allowing a winning bidder who does not own a credit card or feels uneasy transferring credit card information via the electronic network to effect payment for an item won on an electronic auction without having to mail a check, a money order, or other payment document to the seller. Finally, there exists a need for allowing an operator of an electronic auction web site to get paid its commission in real-time at the conclusion of an auction.

SUMMARY OF THE INVENTION

The present invention provides a computerized electronic auction payment system and method for effecting a real-time payment for an item won in an electronic auction using the computerized electronic auction payment system, where users access the computerized electronic auction payment system by remote terminals, such as a personal computer, PDA, cellular phone, etc., via an electronic network, such as the Internet. The computerized electronic auction payment system and method of the present invention overcomes the drawbacks of prior art methods and affords additional advantages.

According to an aspect of the present invention, the computerized electronic auction payment system and method effect a real-time payment for an item won in an electronic auction by setting up and maintaining electronic auction pay-

ment accounts for prospective bidders and sellers. The prospective bidders provide funds to their electronic auction payment accounts maintained by the computerized electronic auction payment system, prior to being deemed as winning bidders, via direct deposit, using a credit card, or sending a check, money order, or other financial document to an operator of the computerized electronic auction payment system. In one embodiment, upon being deemed as a winning bidder, the winning bidder accesses a payment page, enters the total amount of funds to be transferred to the seller, and authorizes the computerized electronic auction payment system to effect a real-time payment by debiting his, i.e., the winning bidder's, respective electronic auction payment account and crediting the electronic auction payment account of the seller, and/or another account specified by the seller.

In an alternate embodiment, the prospective bidder authorizes the computerized electronic auction payment system to effect a real-time payment to the seller upon the prospective bidder being deemed the winning bidder (i.e., immediately following the conclusion of the auction). That is, without the winning bidder having to access the payment page.

According to another aspect of the present invention, the computerized electronic auction payment system and method enable a winning bidder to effect payment for an item won on an electronic auction without having to type and transfer credit card information over an electronic network.

Further, according to another aspect of the present invention, the computerized electronic auction payment system and method enable a winning bidder who does not own a credit card or feels uneasy transferring credit card information via an electronic network to effect payment for an item won on an electronic auction without having to mail a check, a money order, or other payment document to the seller.

Further, according to another aspect of the present invention, the computerized electronic auction payment system and method enable an operator of an electronic auction web site to get paid its commission in real-time at the conclusion of an auction or upon authorization by a winning bidder.

Further still, according to another aspect of the present invention, the computerized electronic auction payment system and method provide insurance to a winning bidder, in the case where the item won is never shipped to the winning bidder or the item turns out to be non-genuine and/or damaged without the fault of the courier, i.e., shipping insurance will not cover the damaged item. Accordingly, an operator of the computerized electronic auction payment system and method is deemed as being an insurance agent.

Further yet, according to another aspect of the present invention, the computerized electronic auction payment system and method invest funds stored within electronic auction payment accounts set up by users of an electronic auction web site. Accordingly, an operator of the computerized electronic auction payment system and method is deemed as being an investment broker.

Yet still, according to another aspect of the present invention, the computerized electronic auction payment system and method are capable of cashing checks drafted against electronic auction payment accounts set up by users of an electronic auction web site. Accordingly, an operator of the computerized electronic auction payment system and method is deemed as being a banker.

Also, according to another aspect of the present invention, the computerized electronic auction payment system and method make loans to users of an electronic auction web site who have set up electronic auction payment accounts.

5

Accordingly, an operator of the computerized electronic auction payment system and method is deemed as being a loan officer.

Finally, according to another aspect of the present invention, the computerized electronic auction payment system and method provide incentives to users of an electronic auction web site for setting up and maintaining electronic auction payment accounts for buying and selling items using the electronic auction web site. Accordingly, an operator of the computerized electronic auction payment system and method is deemed as being a promoter.

In particular, the present invention provides a payment system for effecting payment to a seller of an item offered for an auction sale and won by a winning bidder at the conclusion of an electronic auction. The system includes a database containing a plurality of electronic auction payment accounts, where the plurality of electronic auction payment accounts are configured for storing funds therein, and where one of the plurality of electronic auction payment accounts corresponds to the winning bidder and one of the plurality of electronic auction payment accounts corresponds to the seller; and a web server computer including application software for effecting payment by accessing the database and debiting an electronic auction payment account corresponding to the winning bidder and crediting at least one account corresponding to the seller.

The present invention also provides a method for effecting payment of an item offered for an auction sale by a seller and won by a winning bidder at the conclusion of an electronic auction where computer terminals of potential purchasers are used to access a computer site maintained by an auction server computer. The method includes the steps of: debiting an electronic auction payment account corresponding to the winning bidder, where the electronic auction payment account is configured for storing funds therein; and crediting at least one account corresponding to the seller to effect payment of the item won by the winning bidder.

BRIEF DESCRIPTION OF THE DRAWINGS

The foregoing and other aspects and advantages will be better understood from the following detailed description of preferred embodiments of the invention with reference to the drawings, in which:

FIG. 1 is an overview of a network computing environment including the computerized electronic auction payment system according to the invention;

FIG. 2A is a flow chart illustrating logic processing steps for setting up electronic auction payment accounts using the computerized electronic auction payment system according to the invention;

FIG. 2B is a flow chart illustrating logic processing steps for effecting a real-time payment using the computerized electronic auction payment system where the winning bidder accesses a payment page according to the invention; and

FIG. 3 illustrates a print of a registration page that the computerized electronic auction payment system provides to a user for entering registration information;

FIGS. 4A-4B illustrates prints of a payment registration page that the computerized electronic auction payment system provides to a user for entering payment information;

FIG. 5 illustrates a print of the payment page that the computerized electronic auction payment system provides to the winning bidder at the conclusion of an electronic auction;

6

FIG. 6 illustrates a print of a confirmation page that the computerized electronic auction payment system provides to the winning bidder to confirm the entered payment information; and

FIG. 7 illustrates a print of a bill of sale page that the computerized electronic auction payment system provides to the winning bidder upon authorizing payment to the seller.

DETAILED DESCRIPTION OF THE PREFERRED EMBODIMENTS

FIG. 1 is an overview of a network computing environment **100** which includes the computerized electronic auction payment system according to the invention designated generally by reference numeral **110**. The network computing environment **100** is designed to allow a host of users shown as **102** access to an electronic auction web site via a network, such as the Internet **106**. Each of the users **102** has a computer terminal with the appropriate software, e.g., a web browser, for accessing the Internet **106**. The users **102** are unknown to web server computers **107** and **108** of an electronic auction system **112**, such as EBAY™. The web server computers **107** and **108** include custom written application software to maintain the electronic auction web site and allow each user **102** to browse the electronic auction web site and bid for items and/or sell items as known in the art.

The web server computers **107** and **108** of system **112** also allow each user to access the computerized electronic auction payment system **110** for effecting a real-time payment at the conclusion of an electronic auction. The web server computers **107** and **108** also provide data to the computerized electronic auction payment system **110**, such as the names of the winning bidder and seller at the conclusion of the electronic auction.

The computerized electronic auction payment system **110** includes a database of electronic auction payment accounts **114** and a web server computer **116** having a processor **118** capable of executing a set of programmable instructions stored within a memory **119**. The set of programmable instructions are custom written application software to enable the computerized electronic auction payment system **110** to perform various functions and methods described herein, such as maintaining the database of electronic auction payment accounts **114**, and executing user-specified instructions, such as to loan funds to the user **102** if the user **102** has insufficient funds in his account to effect payment. The set of programmable instructions also enable the computerized electronic auction payment system **110** to perform the inventive method of enabling a winning bidder to effect the real-time payment of an item won on the electronic auction web site as described below with reference to FIGS. 2A-7.

As shown by the large dotted box marked "A" in FIG. 1, the computerized electronic auction payment system **110** is located locally with the web server computers **107** and **108** and is connected to the Internet **106** directly and via the web server computers **107** and **108**. The computerized electronic auction payment system **110** maintains a payment segment of the electronic auction web site and also enables a user **102** to access the payment segment.

It is contemplated that the computerized electronic auction payment system **110** can also be located remotely from the web server computers **107** and **108** for maintaining the payment segment or an auction payment web site independent from the electronic auction web site and for enabling the user **102** to access the payment segment or the auction payment web site. The payment segment of the electronic auction web site or the independent auction payment web site are accessed

by conventional methods, e.g., by the user **102** clicking an icon on the electronic auction web site, by the user **102** clicking a hyperlink on an e-mail, and by the user **102** typing the appropriate URL in the user's web browser.

The web server computers **107** and **108** share the responsibility for servicing the users of the electronic auction web site. The web server computer **116** has the responsibility for registering users of the system **110** and servicing the registered users as described below.

The web server computers **107** and **108** are identical and can be duplicated as additional load on the electronic auction system **112** occurs. The web server computer **116** can also be duplicated as additional load on the computerized electronic auction payment system **110** occurs. The duplication arrangement provides for immediate expandability of the electronic auction system **112** and the computerized electronic auction payment system **110** by merely adding additional web server computers as necessary. It is contemplated that network computing environment **100** is provided with one type of computer server for performing the functions of the web server computers **107** and **108** and the web server computer **116**.

Each electronic auction payment account is configured for storing funds (similar to a bank account) which can be used to effect payment, and not information relating to sources which can be used to initiate payment, such as a credit card information. Further, each electronic auction payment account is configured for the system **110** to loan funds to, in case there are insufficient funds therein, to effect payment, as described below.

With reference to FIG. 2A there is shown a flow chart illustrating logic processing steps for setting up an electronic auction payment account for effecting the real-time payment using the electronic auction web site's payment segment maintained by the computerized electronic auction payment system **110**. Step **200** provides for the user **102** of the electronic auction web site, such as EBAY™ and YAHOO!™ Auctions, to access a registration page **300** (see FIG. 3) of the payment segment to register and set up the electronic auction payment account.

With reference to FIG. 3, the registration page **300** includes several fields **302** for the user **102** to enter identifying information, such as first name, last name, date of birth, citizenship, mailing address, and social security number. It is contemplated that fields can also be provided for registering corporations, organization, legal partnerships, etc. Such fields could require the user **102** to enter a corporate name and a tax identification number.

The registration page **300** also includes a field **304** for the user **102** to enter a user-name. The user-name could be identical to a user-name which the user **102** has been previously assigned by the electronic auction system **112**. The registration page **300** further includes a field **306** for the user **102** to enter a password. The password could be identical to a password which the user **102** has been previously assigned by the electronic auction system **112**.

Upon entering the appropriate information on the registration page **300**, the user **102** then clicks on a "NEXT" soft button **308**. Upon clicking the "NEXT" soft button **308**, the computerized electronic auction payment system **110** sets up the electronic auction payment account having the entered information and stores the electronic auction payment account within the database of electronic auction payment accounts **114** (step **202**). The process then proceeds to step **204** where a payment registration page **400** (see FIG. 4A) of the payment segment is accessed.

It is contemplated that prior to proceeding to step **204**, the system **110** forwards the entered information to a credit checking system to verify the credit rating of the user **102**.

With reference to FIG. 4A, the payment registration page **400** allows each user **102** to enter payment information (step **206**). The payment registration page **400** includes several fields **402** for entering bank account information corresponding to a bank account the user **102** wants the computerized electronic auction payment system **110** to transfer funds from and to his electronic auction payment account.

The payment registration page **400** also includes several fields **404** for entering credit card information, in order for the computerized electronic auction payment system **110** to charge the user's credit card and deposit funds to the user's electronic auction payment account, prior to the user **102** being deemed a winning bidder for an item won on the electronic auction web site. The credit card information entered within fields **404** are also used by the computerized electronic auction payment system **110** to credit the user's credit card where the user **102** is the seller as described below. It is contemplated that the payment registration page **400** includes additional fields for entering other types of sources, such as other credit cards, other bank accounts, investment brokerage and corporate accounts, to be used for transferring funds to and from the user's electronic auction payment account.

The payment registration page **400** also provides an address **406** for the user **102** to mail his payment information (e.g., bank account information, and credit card information) or a check/money order payable to an operator of the computerized electronic auction payment system **110**, if the user **102** feels uneasy transferring his bank account and/or credit card information over the Internet **106**. A phone number is also listed for the user **102** to be able to call a representative of the system **110** to provide payment information.

The payment registration page **400** of the payment segment further includes allocation fields **408** for the user **102** to indicate what percentage of funds deposited to his electronic auction payment account should be derived from charging his credit card and what percentage of funds deposited to his electronic auction payment account should be derived by transferring funds from his bank account. If only a single source is entered in payment registration page **400**, then 100% of funds deposited to the user's electronic auction payment account are derived from that source, and the user **102** does not need to enter any percentages in allocation fields **408**.

The payment registration page **400** also includes allocation fields **410** for the user **102** to indicate what percentage of funds transferred to his electronic auction payment account from other electronic auction payment accounts should subsequently be credited to his credit card and what percentage of funds transferred to his electronic auction payment account should subsequently be transferred by direct deposit to his bank account. If the percentages entered in each of the allocation fields **410** total less than 100%, then a percentage of the funds transferred to the user's electronic auction payment account from other electronic auction payment accounts are retained within the user's electronic auction payment account. Accordingly, the total percentages entered plus the percentage of funds retained within the user's electronic auction payment account equals 100%.

It is contemplated that the system **110** automatically transfers the percentage of funds allocated to user-specified accounts without first transferring these funds to the user's electronic auction payment account.

Since each user **102** of the electronic auction system **112** can use the system **112** to buy and sell items, it is preferred

that each user **102** provide allocation percentages in fields **408** and **410**. The fields **408** and **410** can be expanded for entering additional percentages relating to other accounts, such as investment brokerage and corporate accounts, which could be used for depositing and withdrawing funds to and from the electronic auction payment accounts.

The percentages entered in allocation fields **408** and **410**, like other information entered within the payment segment of the electronic auction web site, can be changed and/or reviewed by the user **102** accessing his electronic auction payment account stored within the database of electronic auction payment accounts **114**. The user **102** can access his electronic auction payment account by clicking a "MY PAYMENT ACCOUNT" icon while in the electronic auction web site to access a sign-in or log-in page for entering one's user-name and password, and clicking a "LOG-IN" icon.

The payment registration page **400** also includes a deposit field **412** for the user **102** to enter the amount of funds he wants to deposit into his electronic auction payment account from the various sources entered in fields **402** and **404**. A withdrawal field **414** is also provided for the user **102** to enter the amount of funds he wants to withdraw from his electronic auction payment account and transfer to the various sources entered in fields **402** and **404**.

An automatic payment field **416** is further provided for the user **102** to authorize the computerized electronic auction payment system **110** to debit the user's electronic auction payment account in real-time every time the user **102** is deemed a winning bidder. If the user **102** checks this field, then, at the conclusion of an electronic auction, if the user **102** is deemed the winning bidder, then the system **110** in real-time debits the user's electronic auction payment account and credits an electronic auction payment account corresponding to the seller, and/or other user-specified accounts corresponding to the seller as described above with reference to fields **402** and **404**. The computerized electronic auction payment system **110** is provided with the names and identification information of the winning bidder and seller by the electronic auction system **112**.

If the user **102**, i.e., the winning bidder, has no funds in his respective electronic auction payment account, the computerized electronic auction payment system **110** loans system funds to the user **102** to effect the real-time payment. The system **110** loans system funds to the user **102**, only if the user **102** has authorized the system **110** to loan system funds as described below. Preferably, the system **110** stores system funds in a system account maintained by a system account database **120**, as shown by FIG. 1. The system account database **120** is accessible by the web server **116** for transferring and loaning system funds stored in the system account to the user's electronic auction payment account.

The system account database **120** is also accessible by an external financial system **122**, such as a financial institution's local area network, for transferring funds to and from the system account maintained by the system account database **120**, upon authorization by the web server **116**. For example, the web server **116** can authorize the external financial system to wire funds in the amount of US\$100,000 to the system account. These funds can then be used as system funds for loaning to users **102** of the system **110** and for other purposes.

The funds debited from the winning bidder's electronic auction payment account and credited to the seller's electronic auction payment account in real-time by the computerized electronic auction payment system **110** are preferably equal to the final auction price plus any shipping and handling fees, and taxes. It is contemplated that the computerized electronic auction payment system **110** is provided with the

total amount of the shipping and handling fees from the electronic auction system **112**. The system **112** stores these fees from the moment they were inputted by the seller at the time the seller listed the item on the electronic auction web site.

It is further contemplated that the computerized electronic auction payment system **110** debits the winning bidder's electronic auction payment account and credits the seller's electronic auction payment account to cover for taxes when the winning bidder and seller are from the same state or locality. This is determined by checking the state or locality corresponding to the winning bidder and the seller as stored within the database of electronic auction payment accounts **114**. If the states or localities match, then the computerized electronic auction payment system **110** accordingly debits the winning bidder's electronic auction payment account to cover for taxes corresponding to that state or locality. It is, however, understood that the system **110** can be programmed to debit the winning bidder's electronic auction payment account to cover for taxes (equal to a pre-programmed percentage corresponding to the state or locality and credit the seller's payment account) even when the states or localities do not match, and/or to only debit to cover for taxes when the seller has indicated to the system **110** during the registration process or afterwards that he is a merchant, or other entity obligated by law to charge and pay taxes.

The computerized electronic auction payment system **110** further withholds a predetermined percentage of the funds obtained by debiting the winning bidder's electronic auction payment account while effecting the real-time payment when the automatic payment field **416** is checked. These funds are withheld by the system **110** to pay the commission fees of the operator of the system **110** and/or the operator of the electronic auction system **112**. The withheld funds are preferably stored within the system account maintained by the system account database **120**. The remaining or non-withheld funds are then credited to the electronic auction payment account of the seller, and/or other seller-specified accounts as described above with reference to fields **402** and **404**.

Additionally, the computerized electronic auction payment system **110** debits the winning bidder's electronic auction payment account for purchasing insurance and/or to cover personal guarantee fees, if the winning bidder has accordingly indicated as described below. These funds are stored within the system account maintained by the system account database **120** to cover personal guarantee fees, or are transferred to the external financial system **122** to purchase insurance.

At the conclusion of the real-time payment, an e-mail is transmitted to the winning bidder and the seller confirming the transaction. The e-mail also indicates the total amount of funds debited, withheld and transferred, the mailing address of the winning bidder, the auction item, and the final auction price. The mailing address of the winning bidder is preferably obtained from the database of electronic auction payment accounts **114**. The auction item and the final auction price are obtained or transmitted from the electronic auction system **112**. The e-mail can further include a hyperlink for linking to a web site where the winning bidder and seller can leave comments regarding their payment transaction. A hyperlink can also be included for viewing and/or printing a bill of sale or receipt.

It is contemplated that the automatic payment feature is overridden if the winning bidder does not have enough funds in his electronic auction payment account and has not indicated to the computerized electronic auction payment system **110** to use system funds as described below. If this is the case,

11

the system **110** informs the winning bidder by e-mail, by sending a page, facsimile, etc. of the fact that the winning bidder does not have enough funds within his electronic auction payment account to effect a real-time payment of the item won.

The winning bidder can then transfer funds into his electronic auction payment account and then access the payment page **500** as described below with reference to FIG. **5**; authorize the system **110** to use system funds and then access the payment page **500** as described below; or mail a check, money order, etc. to the seller.

With reference to FIG. **4B**, the payment registration page **400**, or a sub-page thereof, further includes option fields **418a-f**. Option field **418a** permits the user **102** to specify an amount of funds to be transferred by the computerized electronic auction payment system **110** from sources specified in fields **402** and **404** to the user's electronic auction payment account, if the total amount of funds within the user's electronic auction payment account is less than a user-specified amount.

Option field **418b** permits the user **102** to indicate an amount of funds to be transferred by the computerized electronic auction payment system **110** from sources specified in fields **402** and **404** to the user's electronic auction payment account on a user-specified periodic basis, e.g., daily, weekly, or monthly.

Option fields **418c-f** are yes/no option fields. If the field is clicked, then the user **102** has indicated "yes"; if the field is not clicked, then the user **102** has indicated "no". Option field **418c** permits the user **102** to indicate whether the computerized electronic auction payment system **110** should replenish, from sources specified in fields **402** and **404**, any funds debited for transferring funds to other electronic auction payment accounts, e.g., upon effecting a payment after the conclusion of an auction. Option field **418d** permits the user **102** to indicate whether the computerized electronic auction payment system **110** should use system funds, as stored within the system account, to effect payment for items won by the user **102**, if the user's electronic auction payment account does not have sufficient funds to effect payment for the item won.

It is contemplated that the computerized electronic auction payment system **110** charges the user **102** interest for using system funds to effect payment. The interest charged is stored within the user's electronic auction payment account in order to allow the user **102** to view the outstanding interest charges by accessing his account. The total interest charged to all the users is preferably stored in the system account database **120** to allow the system **110** to easily determine the amount of interest due to the operator of the system **110**. It is further contemplated that the computerized electronic auction payment system **110** automatically, or on a periodic basis, withdraws funds which are transferred to the user's electronic auction payment account and transfers these funds to the system account database **120**, if the system **110** has used system funds to effect payment for the user **102** and the funds are currently outstanding, i.e., not paid.

It is further contemplated that the computerized electronic auction payment system "locks out" the user **102** from using the electronic auction web site, if the user **102** owes money greater than a predetermined amount to the system **110** and the user **102** has not paid a predetermined percentage of the money owed for a predetermined period of time. For example, the user **102** gets "locked out" if he owes the system **110** US\$400 and has not paid 10% or US\$40 to the system **110** during the last four weeks.

12

Option field **418e** permits the user **102** to indicate whether the computerized electronic auction payment system **110** should effect insurance coverage for items won by the user **102**. This field also permits the user **102** to indicate a minimum final auction price for effecting insurance coverage. For example, the user **102** can indicate that the system **110** should effect insurance coverage only when the final auction price is greater than or equal to US\$500. An icon **419** is displayed which the user can click to view a listing of the insurance charges for a range of final auction prices.

If the user **102** indicates in option field **418e** that the system **110** should effect insurance coverage for items won where the final auction price is greater than or equal to the minimum final auction price, then in every such instance, the system **110** also withdraws from (or, in case there are insufficient funds in the user's electronic auction payment account and the user **102** has indicated "yes" in option field **418d**, loans to) the user's electronic auction payment account an amount equal to the insurance charge for the item won, if the final auction price is greater than or equal to the user-specified minimum final auction price. The system **110** stores these funds in the system account within the system account database **120** and then uses a portion of these funds, as directed by the web server **116**, to purchase insurance for the item won by the user **102** from the external financial system **122** which may be an independent or affiliated insurance company or broker. The system **110** retains the other portion of the funds as an insurance purchase service fee. The retained portion can be stored within the system account, or preferably transferred to an interest-bearing account corresponding to the operator of the system **110**. The interest-bearing account can be maintained by the external financial system **122**. If the item turns out to be non-genuine and/or damaged, then the user **102** who bought insurance on the item can make a claim, to recover the funds transferred to the seller.

It is also contemplated that field **418e** indicates to the user **102** that by indicating "yes", then any items won having a final auction price greater than or equal to the minimum final auction price are personally guaranteed by the operator of the computerized electronic auction payment system **110** for a predetermined guarantee fee. Accordingly, the operator of the computerized electronic auction payment system **110** personally guarantees any auction items won by the user **102** which have a final auction price which is greater than or equal to the user-specified minimum final auction price. Hence, the system **110** debits the winning bidder's electronic auction payment account to cover for personal guarantee fees and transfers the debited funds to the system account maintained by the system account database **120**.

Option field **418f** permits the user **102** to indicate whether the computerized electronic auction payment system **110** should issue and mail checks to the user **102**. The user **102** can then use the issued checks to draft checks against his respective electronic auction payment account. The computerized electronic auction payment system **110** or an independent accounting system, e.g., the external financial system **122**, keeps track of checks drafted against electronic auction payment accounts and instructs the system **110** to deduct funds from the appropriate accounts.

The payment registration page **400** also offers the user **102** incentives for providing information in option fields **418a** and **418b** and for indicating "yes" to one or more of option fields **418c-f**. For example, as indicated by icon **420**, the user **102** can be offered the incentive of the system **110** periodically adding a predetermined amount of funds to the user's electronic auction payment account if the user **102** indicates "yes" in option fields **418c-f**. The user **102** can also be offered the

incentive of the computerized electronic auction payment system **110** paying any shipping and handling charges for items won by the user **102** on the electronic auction web site.

The user **102** can also be offered incentives based on the amount of funds periodically transferred to his electronic auction payment account as indicated in option field **418b**. For example, if the user **102** transfers less than or equal to US\$50 to his electronic auction payment account every week, then he has a 20% chance of winning a weekly sweepstakes drawing for a prize as conducted by the electronic auction payment system **110**. If the user **102** transfers less than or equal to US\$100 to his electronic auction payment account every week, then he has a 30% chance of winning the weekly sweepstakes drawing as conducted by the electronic auction payment system **110**, and so on. A similar incentive can also be offered to the user **102** based on an average amount of funds used by the user **102** to buy auction items during a predetermined period, e.g., in a given month.

It is contemplated that these and other incentives are also indicated on the electronic auction web site where unregistered and registered users can view the incentives. For example, one incentive which could be offered by the electronic auction payment system **110** and indicated on the electronic auction web site is that all registered users of the system **110** are automatically entered in periodic sweepstakes where they have the opportunity to win various prizes, such as US\$1,000.

Investment fields **422** are also provided by the payment registration page **400** of the payment segment for the user **102** to indicate how he wants his funds within his electronic auction payment account invested, e.g., a money market fund, a mutual fund account, etc. The funds can be invested by transferring the funds, upon instructions from the web server **116**, to the external financial system **122**, which could be, for example, an investment brokerage firm's system. If none of the investment fields **422** are selected by the user **102**, the computerized electronic auction payment system **110** does not invest the user's funds.

The computerized electronic auction payment system **110** periodically adds funds to the user's electronic auction payment account reflecting any interest accrued by investing the user's funds. The computerized electronic auction payment system **110** retains a portion of the interest accrued by investing the user's funds as an investment service fee, prior to adding funds to the user's electronic auction payment account. The retained interest is stored within the system account, or preferably, transferred to an interest-bearing account corresponding to the operator of the system **110** and maintained by the external financial system **122**. It is contemplated to provide incentives to the user **102** for authorizing the computerized electronic auction payment system to invest the user's funds.

Upon entering the appropriate information on the payment registration page **400**, the user **102** then clicks on a "NEXT" soft button **424**. Upon clicking the "NEXT" soft button **424**, the computerized electronic auction payment system **110** appends the respective electronic auction payment account with the information entered in payment registration page **400** and stores the appended electronic auction payment account within the database of electronic auction payment accounts **114** (step **208** of FIG. 2A).

At step **210**, a confirmation message page (not shown) is then presented to the user **102** indicating that his electronic auction payment account has been appropriately set up or changed (in case the user **102** accessed a previously set up electronic auction payment account and changed the information provided therein). The confirmation message page

also indicates if any transactions are set to occur or have occurred based upon the information entered in the payment registration page **400**. For example, a message can indicate that US\$325 was withdrawn from the user's electronic auction payment account and transferred to the user's bank account as specified in field **402**. Another message can indicate that US\$325 was withdrawn from the user's bank account as specified in field **402** and transferred to the user's electronic auction payment account.

It is contemplated that a message is also presented to the user **102** asking for a confirmation from the user **102** prior to the computerized electronic auction payment system **110** proceeding with a specified transaction, such as "By clicking the YES button, US\$325 will be transferred to Republic Bank Account No. 4356123. By clicking the CANCEL button, the transaction will be canceled."

A description will now be provided with reference to FIG. 2B for effecting a real-time payment using the computerized electronic auction payment system **110** at the conclusion of an electronic auction provided by the electronic auction system **112**. The flow chart of FIG. 2B illustrates a real-time payment as initiated by the winning bidder by accessing a payment page of the payment segment of the electronic auction web site or an independent auction payment web site. That is, if the user **102** has not indicated "yes" in automatic payment field **416**. As described above, a real-time payment can also be performed in real-time by the computerized electronic auction payment system **110** if the winning bidder has indicated "yes" in automatic payment field **416**.

At step **220**, after the winning bidder wins an auction item from the electronic auction web site, the winning bidder initiates a real-time payment, e.g., by clicking an icon on the electronic auction web site or by clicking a hyperlink provided on an e-mail transmitted by the electronic auction system **112** to the winning bidder and seller for accessing the payment segment. At step **222**, the payment page, designated by reference numeral **500** in FIG. 5, is accessed, and the winning bidder then enters the amount of funds to be transferred to the seller in field **502**. The amount of funds to be transferred to the seller could be, for example, the sum of the final auction price, the shipping and handling fees, and the taxes.

In the payment page **500**, the winning bidder can also enter the amount of funds to be transferred to the system account database **120** in field **504**, if the winning bidder elects to purchase insurance and/or have the operator of the system **110** personally guarantee the item won. It is noted that field **504** is already filled out by the system **110** if the winning bidder has pre-designated in field **418e** for the system **110** to automatically provide insurance and/or personally guarantee the item won, and the final auction price is greater than or equal to the minimum final auction price provided in field **418e**. The winning bidder can click on icon **506** for a list of insurance prices, similarly, to icon **419**.

The payment page **500** also includes fields **508** providing various information. Fields **508** can provide, for example, the auction item number of the item won by the winning bidder, a description of the item, the seller's user-name, the buyer's user-name, and the final auction price. The winning bidder then enters his password in field **510**, and then clicks the "NEXT" soft button **512**. Upon clicking the "NEXT" soft button **512**, the winning bidder accesses a confirmation page in step **224**. The confirmation page is shown by FIG. 6 and designated generally by reference numeral **600**.

The confirmation page **600** includes several fields: field **602** provides the auction item number; field **604** provides the seller's user-name; field **606** provides the buyer's user-name;

15

field **608** provides the amount of funds to be transferred to the seller as entered in field **502** of the payment page **500**; and field **610** indicates the amount of insurance purchased or if no insurance was purchased.

Field **612** indicates the amount of funds within the winning bidder's electronic auction payment account, and field **614** indicates the total amount of system funds to be used, if there are insufficient funds in the winning bidder's payment account and the winning bidder has indicated in field **418d** for the system **110** to use system funds. Once the winning bidder has read the information provides by the confirmation page, he then authorizes payment at step **226** by clicking the "PAYMENT" soft button **616**.

Upon clicking the "PAYMENT" soft button **612**, the computerized electronic auction payment system debits the winning bidder's electronic auction payment account in by an amount equal to the amount entered in field **502** and credits the seller's electronic auction payment account and/or other accounts indicated by the seller in fields **402** and **404** in real-time, in accordance with the percentages entered in field **410**. If insurance/personal guarantee has been specified by the winning bidder in field **504**, the system **110** accordingly debits the winning bidder's electronic auction payment account in real-time, as described above, to purchase insurance and/or personal guarantee the auction item and to pay itself a service fee.

It is noted that if the winning bidder's electronic auction payment account does not have sufficient funds, the system **110** loans system funds from the system account to the winning bidder to effect payment, if the winning bidder has so indicated in field **418d**. The amount of funds debited from the winning bidder's electronic auction payment account are replenished from sources indicated in field **408**, if the winning bidder has so indicated in field **418c**. Further, a pre-specified amount of funds are transferred to the winning bidder's electronic auction payment account, if the total amount of funds in the winning bidder's payment account are less than the pre-specified amount of funds as indicated in field **418a**, following the transfer of funds to the seller's electronic auction payment account.

The computerized electronic auction payment system **110** withholds a predetermined percentage of the funds entered in field **502** upon the "PAYMENT" soft button **612** being clicked. These funds are withheld by the system **110** to pay the commission fees of the operator of the system **110** and/or the operator of the electronic auction system **112**. The withheld funds are preferably stored within the system account maintained by the system account database **120**.

It is contemplated that the payment transaction is stopped if the winning bidder does not have enough funds in his electronic auction payment account and has not indicated in field **418d** for the computerized electronic auction payment system **110** to use system funds. If this is the case, the system **110** informs the winning bidder by a message upon the winning bidder clicking the "PAYMENT" soft button **612** of the fact that the winning bidder does not have enough funds to effect a real-time payment of the item won. The winning bidder can then transfer funds into his electronic auction payment account and then re-access the payment page **500**; authorize the system **110** to use system funds by clicking field **418d** and then re-access the payment page **500**; or mail a check, money order, etc. to the seller.

At step **228**, the computerized electronic auction payment system **110** displays a bill of sale or receipt, as shown by FIG. **7** and designated generally by reference numeral **700**, indicating completion of the payment. The bill of sale **700** includes several fields: field **702** provides the auction item

16

number; field **704** provides a description of the item won; field **706** provides the seller's user-name; field **708** provides the winning bidder's user-name; field **710** provides the electronic auction payment account number of the winning bidder's electronic auction payment account; field **712** provides the amount of funds transferred to the seller; and field **714** indicates if insurance was purchased by the winning bidder. The winning bidder can then click soft button **716** to print the bill of sale **700**.

At step **230**, an e-mail is transmitted to the winning bidder and the seller confirming the transaction. The e-mail also indicates the total amount of funds debited, withheld and transferred, the mailing address of the winning bidder, the auction item, and the final auction price. The mailing address of the winning bidder is preferably obtained from the database of electronic auction payment accounts **114**. The auction item and the final auction price are obtained or transmitted from the electronic auction system **112**. The e-mail can further include a hyperlink for linking to a web site where the winning bidder and seller can leave comments regarding their payment transaction. A hyperlink can also be included for viewing and/or printing the bill of sale or receipt as shown by FIG. **7**.

For simplicity only a particular type of electronic auction has been described above in accordance with the system and method of the present invention. However, one skilled in the art can apply the inventive system and method to other types of electronic auctions, such as electronic Dutch auctions.

Although various preferred embodiments of the present invention have been described herein in detail, it will be appreciated by those skilled in the art, that variations may be made thereto without departing from the spirit of the invention or the scope of the appended claims.

We claim:

1. A method for automatically effecting payment for a user of an electronic auction web site maintained by at least one computing device to an operator associated with the electronic auction web site, said method comprising the steps of:
 - executing by at least one processor a sequence of events, the sequence of events including the steps of providing the user with an option prior to the conclusion of an electronic auction provided by the electronic auction web site, the option enabling the user to authorize a payment system to execute an automatic payment method after the conclusion of the electronic auction, the automatic payment method includes automatically deducting funds from a payment account storing funds therein and corresponding to the user; receiving authorization from the user in response to the provided option and prior to the beginning of the electronic auction to execute the automatic payment method after the conclusion of the electronic auction; and determining whether to execute the automatic payment method for the user after the conclusion of the electronic auction based on whether the user has provided authorization to execute the automatic payment method in response to the provided option; and
 - executing by the at least one processor the automatic payment method after the conclusion of the electronic auction, if it is determined by the at least one processor to execute the automatic payment method and the user has provided authorization for executing the automatic payment method in response to the provided option, the executing step comprising the steps of:
 - automatically deducting funds from the funds stored in the payment account corresponding to the user of the electronic auction web site; and

17

automatically transferring at least a portion of the deducted funds into an account corresponding to the operator associated with the electronic auction web site.

2. The method according to claim 1, further comprising the step of receiving authorization from the user to periodically access the user's payment account.

3. The method according to claim 1, further comprising the step of automatically transferring at least a remaining portion of the deducted funds into at least a payment account corresponding to another user of the electronic auction web site.

4. The method according to claim 1, wherein the payment account corresponding to the user stores funds and not information relating to sources which can be used to initiate payment, and wherein the deducted funds are equal to a final auction price for an auction item offered for auction sale via the electronic auction web site, plus additional fees.

5. The method according to claim 1, further comprising the steps of:

determining if there are sufficient funds in the payment account corresponding to the user to effect payment prior to the step of automatically deducting funds from the payment account; and

loaning funds to effect payment, if it is determined there are not sufficient funds in the payment account corresponding to the user.

6. The method according to claim 1, further comprising the step of automatically replenishing the payment account corresponding to the user after the step of automatically deducting funds from the payment account.

7. A method for automatically effecting payment for a user of an electronic commerce web site, said method comprising the steps of:

setting up an electronic payment account by at least one processor for the user, said payment account storing funds therein for use in effecting payment for network-based commerce transactions;

automatically deducting funds stored within the electronic payment account due to at least one network-based commerce transaction without receiving a request from the user to deduct funds following a termination event of the at least one network-based commerce transaction; and automatically transferring at least a portion of the deducted funds to an account associated with an operator of the electronic commerce web site, the electronic payment account storing funds therein and the electronic commerce web site are maintained by an electronic commerce and payment computing architecture, said computing architecture having computing devices for maintaining the electronic payment account storing funds therein and the electronic commerce web site, said computing devices being in operative communication with each other via at least one non-Internet connection.

8. The method according to claim 7, wherein at least one of the computing devices includes a database storing a plurality of electronic payment accounts each corresponding to a respective user of the electronic commerce web site, including the user.

9. The method according to claim 7, further comprising the step of receiving authorization from the user to automatically deduct funds from the electronic payment account prior to the step of automatically deducting funds from the payment account.

10. A network-based commerce system for automatically effecting payment for a user of a network-based commerce web site maintained by at least one computing device to an

18

operator associated with the network-based commerce web site, said network-based commerce system comprising:

an automatic payment service module; and means for executing a sequence of events, the sequence of events including the steps of:

providing the user with an option to enable an automatic payment service prior to the termination event of a network-based commerce transaction, the option enabling the user to authorize the automatic payment service module to execute an automatic payment method after the termination of the network-based commerce transaction, the automatic payment method includes automatically deducting funds from a payment account storing funds therein and corresponding to the user;

receiving authorization from the user in response to the provided option and prior to the termination event of the network-based commerce transaction to execute the automatic payment method after the termination event of the network-based commerce transaction; and

determining whether to execute the automatic payment method for the user after the termination event of the network-based commerce transaction based on whether the user has provided authorization to execute the automatic payment method in response to the provided option;

wherein the automatic payment service module executes the automatic payment method after the conclusion of the network-based commerce transaction, if it is determined to execute the automatic payment method and the user has provided authorization for executing the automatic payment method in response to the provided option, the automatic payment method comprising the steps of:

automatically deducting funds from the funds stored in the payment account corresponding to the user of the network-based commerce transaction; and

automatically transferring at least a portion of the deducted funds into an account corresponding to the operator associated with the network-based commerce web site.

11. The network-based commerce system according to claim 10, wherein the automatic payment service module automatically provides payment to another user of the network-based commerce web site from the funds deducted from the payment account corresponding to the user.

12. The network-based commerce system according to claim 10, wherein the option is available to the user via a control panel provided by the automatic payment service module that allows the user to enable the automatic payment service, disable the automatic payment service, and edit payment information corresponding to the user.

13. The network-based commerce system according to claim 10, further comprising a network-based payment system having a payment machine configured to receive and send data from and to a network.

14. The network-based commerce system according to claim 13, wherein the network-based payment system includes a database storing a plurality of payment accounts configured for storing funds therein and for use in effecting payment for said network-based commerce transaction, including the payment account corresponding to the user.

15. The network-based commerce system according to claim 13, wherein the network-based payment system stores payment information corresponding to the user.

16. The network-based commerce system according to claim 15, the payment information including at least one of a credit card number, a checking account number, and an address.

19

17. The network-based commerce system according to claim 13, wherein the network-based commerce system and the network-based payment system are integrated.

18. The network-based commerce system according to claim 10, wherein the network-based commerce transaction is selected from the group consisting of a network-based auction, and a fixed-price sale of an item from an individual.

19. A payment system for automatically effecting payment for a user of an electronic commerce web site, said payment system comprising:

means for setting up a payment account for the user, said payment account storing funds therein for use in effecting payment for network-based commerce transactions;

means for automatically deducting funds stored within the payment account due to at least one network-based commerce transaction without receiving a request from the user to deduct funds following a termination event of the at least one network-based commerce transaction; and

means for automatically transferring at least a portion of the deducted funds to an account associated with an operator of the electronic commerce web site, the pay-

20

ment account storing funds therein and the electronic commerce web site are maintained by an electronic commerce and payment computing architecture, said computing architecture having computing devices for maintaining the payment account storing funds therein and the electronic commerce web site, said computing devices being in operative communication with each other via at least one non-Internet connection.

20. The payment system according to claim 19, wherein the at least one network-based commerce transaction is selected from the group consisting of a network-based auction, and a fixed-price sale of an item from an individual.

21. The payment system according to claim 19, further comprising means for loaning funds to the user if there are insufficient funds in the payment account.

22. The payment system according to claim 19, wherein at least one of the computing devices includes a database storing a plurality of payment accounts each corresponding to a respective user of the electronic commerce web site, including the payment account corresponding to the user.

* * * * *